

Vehicle Applications

PORSCHE

2017 911

Features

- Retains functionality of Factory-installed Navigation System for passenger access at any time.
- Plug and Play Installation.

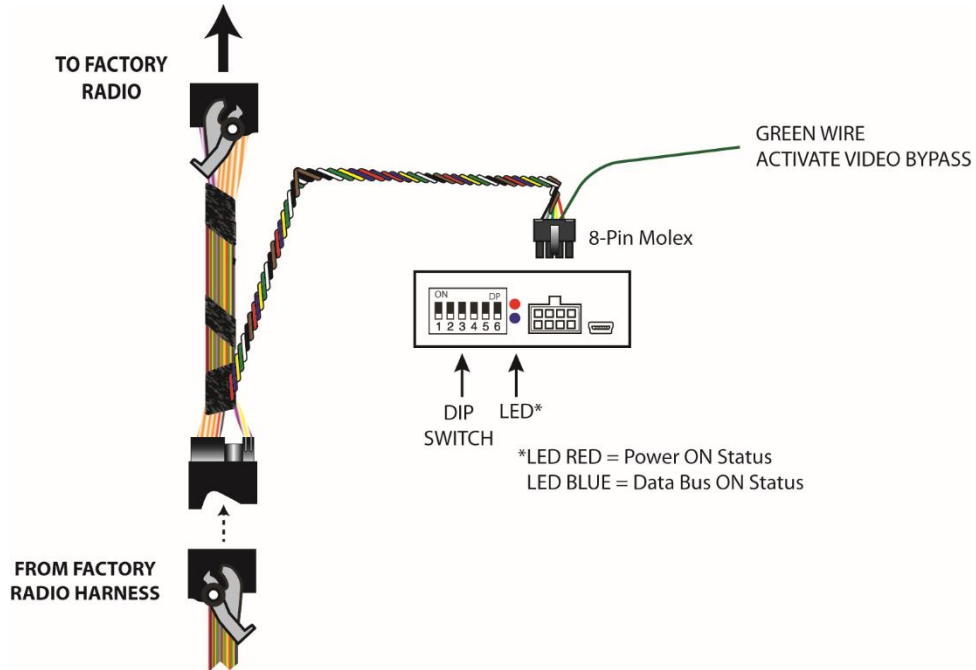
Notes

- Compatible with Porsche PCM4 Navigation radios.
- On some vehicles, the navigation will not work while the video-in-motion function is active. This can only be detected by a test drive. Please see notes on page 2.

Parts Included



Wiring Diagram



Installation Instructions

1. Remove the factory radio from the dashboard.
2. Remove the factory connectors from behind the factory radio.
3. Mate the T-Harness connections to the factory harness and radio. (Make sure all connectors are properly seated into the interface and into the radio.)
4. Connect the 8-pin Molex connector from the T-harness to the VIMPR-90P module.
5. Set the DIP switches according to the table below.
6. Test the interface and re-install the radio into the dash.

Setting the DIP Switches of the VIMPR-90P

Porsche	Dip 1	Dip 2	Dip 3	Dip 4	Dip 5	Dip 6
Video-in-motion permanent	ON	OFF	OFF	OFF	OFF	OFF
Video-in-motion selective*	OFF	OFF	OFF	OFF	OFF	OFF

*With DIP#1 set to OFF the included green wire is used to activate the video-in-motion function.



Note: DIP switch functions of the VIMPR-90P

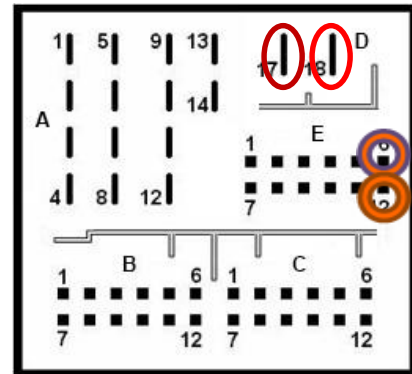
- Dip 1 – Activate Video In Motion
- Dip 2 – no function
- Dip 3 – no function
- Dip 4 – no function
- Dip 5 – CAN-bus termination resistor on the vehicle side
- Dip 6 – CAN-bus termination resistor on the head-unit side

NOTE: Vehicles with affected navigation performance

On some vehicles, the navigation performance is affected as long as the video-in-motion function is activated. This can only be detected by a test drive and with DIP# 1 set to ON.

If the navigation performance is affected you have to set DIP#1 to OFF. As long as the video-in-motion function is activated, the navigation will NOT work. The green wire on the T-harness can be used to activate the video-in-motion function (Video-in-motion selective) by connecting a switch (not included) between the GREEN wire and +12V ACC.

Cable colour	Assignment
● Red	+12V Constant Pin 18
● Brown	Ground Pin 17
● Orange/Violet	CAN HIGH Pin 6
● Orange/Brown	CAN LOW Pin 12



ACTIVATING AND DEACTIVATING THE VIM FEATURE

The video-in-motion can be activated and deactivated either by setting DIP# 1 to ON (permanent VIM) or by the connecting a switch (not included) between the GREEN wire and +12V (selective VIM).

Video-in-motion permanent

With DIP#1 set to ON, the video-in-motion function is activated permanently without disturbing the navigation performance.

Video-in-motion selective

With DIP#1 set to OFF, the GREEN wire is used to activate the video-in-motion function.

Connect a switch between the GREEN wire and +12V ACC.

- +12V = VIM is activated
- 0V = VIM is deactivated

