

BEECR-35C

MUSIC STREAMING A2DP WORKS ONLY ON FRONT SPEAKERS

MODELS LISTED BELOW MUST
BE EQUIPPED WITH SWC.

CHRYSLER
2011 - 2013 300

DODGE
2011 - 2014 Charger
2014 - 2014 Durango
2013 - 2014 Journey

Vehicles listed above must have the "WHITE"
22-Pin connector.
Radio type does not matter.

Applications are subject to change
without notice.

We recommend reading this installation guide first before starting any work. Following these instructions from "Start" to "Finish" will ensure a smooth and hassle free installation. We offer telephone support M-F 9:00 AM - 5:00PM PDT at 1 (855) 822-1348. We are here to help.

PARTS INCLUDED:

- (1) CR-35C Interface Module
- (1) CR-35C T-Harness
- (1) Instruction Sheet
- (1) Microphone

PRECAUTIONS:

- Remove the negative side of the battery to avoid any short circuits during the installation.
- Do not install the interface near any major components or near the HVAC system. This may cause damage or overheating to the vehicle.

Phone-Specific Note for iPhone 5S/ iOS7 & Up:

Siri Voice command may not respond properly. Standard Voice command may have to be used instead.

PRELIMINARY:

Please read the entire manual before installing this interface.

THIS INTERFACE STREAMS THE HANDS-FREE & MUSIC (A2DP)
THROUGH THE TWO FRONT SPEAKERS ONLY.

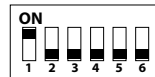
INSTALLING THE INTERFACE

1. Remove the factory radio from the dashboard.
2. Remove the factory connectors from behind the factory radio.
3. Mate the interface connections to the factory connectors.
Make sure the 22-pin connector is properly seated into the interface.
4. Route the microphone to your desired location. Recommended area is above the rear-view mirror.
5. Test the interface first, then re-install the radio into the dash.

ENABLE VOICE DIAL AND MENU STRUCTURE

TO ENABLE VOICE DIAL:

Place DIP switch 1 to ON. (As shown below)



NOTE:

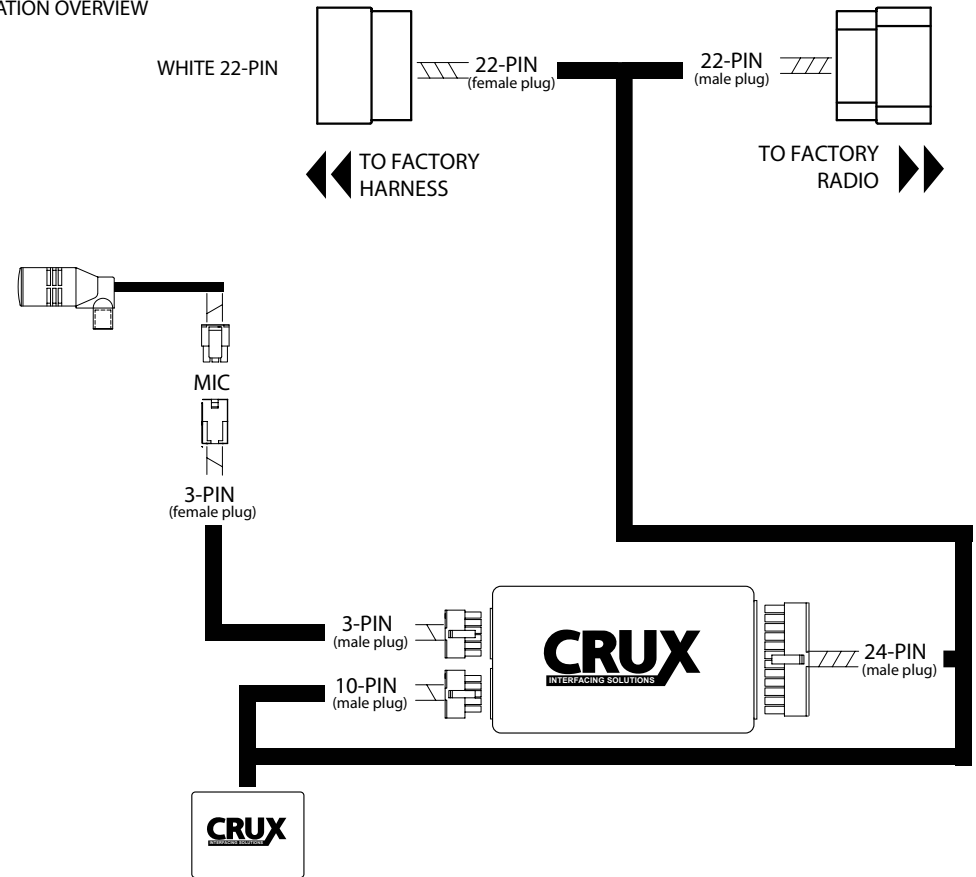
If Voice Dial is enabled, the SWC function will change as follows:

1. A short press (tap) of the TUNE DOWN button will perform a "SEEK".
2. A long press of the TUNE DOWN button will activate the Voice Dial command on the paired phone.

MOUNTING THE MICROPHONE

1. Insert the mounting clip into the ball joint on the microphone.
2. Mount the clip on your visor or near the rear view mirror.
3. Route the remaining cable along the edge of the roof liner and towards the back of the radio, hiding the cable from sight.

INSTALLATION OVERVIEW



INITIAL PAIRING

1. Turn on the vehicle and wait 15 seconds until the interface announces "Please Select Your Mobile Phone" and Enter "0000"
2. From your mobile phone, choose and connect to the "Beeline" device using the password "0000".
3. The interface will announce "Pairing Successful" then "Phone Connected" after the pairing process is complete.

Note: The Bluetooth interface will remember up to the last 8 devices.

Note: If pairing is unsuccessful after several attempts power off then power back on to re-attempt, if unsuccessful please contact our tech support line.

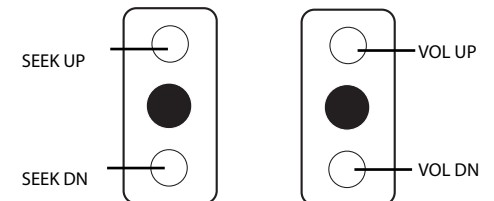
AUTO RE-CONNECT

The BEELINE module will automatically re-connect the previously paired mobile phone when the ignition is turned "ON" to the vehicle and the mobile phone's Bluetooth feature is also on.

Note: The Bluetooth module will re-connect with the last mobile phone it was paired with. If no mobile phone is found, it will revert to the pairing process.

STEERING WHEEL CONTROLS

All Bluetooth functionality is done on the steering wheel controls.



BACKSIDE CONTROLS

All functionality are done on the steering wheel controls.

RADIO CONTROL

There is no Bluetooth control on the factory radio.

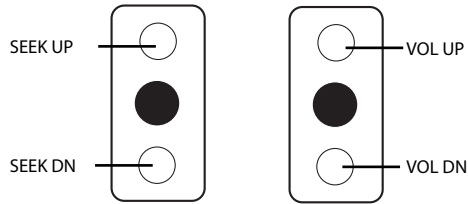
All controls are done from the steering wheel controls.

BEECR-35C

MODELS LISTED BELOW MUST BE EQUIPPED WITH SWC.

CHRYSLER
2011 - 2013 300

DODGE
2011 - 2014 Charger
2014 - 2014 Durango
2013 - 2014 Journey



HOW TO ENTER THE MENU STRUCTURE

Preliminary: Disconnect from the Beeline device or turn Bluetooth off on the mobile phone.

1. Hold Seek Down For 2 seconds on the SWC and release.

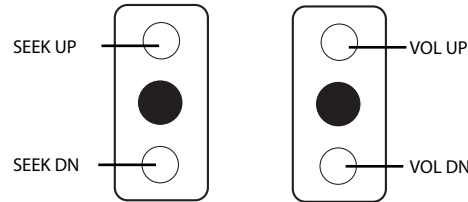
Note: to toggle between choices press seek down.

You are now at the top of the menu structure.

Here are your options:

- a. Setting Volume - this controls the Beeline voice prompts.
To adjust the volume, press and release the volume +/- buttons. (In 1 second increments)
Press Seek Down to set the desired volume setting. There are a total of 15 levels from the highest to lowest.
- b. Delete Paired Phones - this deletes all phones on the Beeline memory. You will be asked to confirm this option, if so simply press the Seek Up button once. To cancel press Seek Down.

Note: The System Menu will time-out after 6 seconds of no activity. If so, please begin at step one from above.



HANDS-FREE FUNCTIONALITY

Voice Dial	Hold Seek Down for 2 Seconds & Release
Answer Call	Press Seek Up Once
End Call	Press Seek Down Once
Reject Call	Press Seek Down Once
Answer 2nd Incoming Call	Press Seek Up Once
Switch Between Calls	Press Seek Up Once
Privacy Mode	Press Seek Up Once
Volume Up	Press Volume Up on SWC
Volume Down	Press Volume Down on SWC

RADIO VOLUME

While connected to the Bluetooth interface the steering wheel controls will only adjust the volume on the BT's built in amplifier. The volume knob on the factory radio will remain the master volume control and will not change when adjusting the volume on the SWC.

COMPATIBLE RADIOS



U-CONNECT RADIO (6-BUTTON, NO KNOBS)

NOTES

Note: If an incoming call is answered from the mobile phone's keypad, the call will direct itself to the headset on the mobile phone. To re-direct the phone call to the "BEELINE", it must be done directly from the mobile phone.

Note: When transferring a phone call to the mobile phone for privacy, the user must re-connect the BEELINE and the mobile phone by selecting the module from the device menu on the phone.

iPhone Note: The Bluetooth interface will disconnect from the mobile phone as soon as the key hits the off position. The call will be transferred to the mobile phone. The module will power down in 15 seconds after the car shuts off or driver door is opened.