



### PRODUCT FEATURES:

- Retains factory features in select GM Class II Data Bus vehicles while functioning with an aftermarket radio.
- Pre-programmed to retain factory Steering Wheel Controls.
- Voice Recognition Command from factory SWC.
- Supports Bose, Y-91 and non-amplified audio systems.
- Retains chime functions.
- Built-in chime volume adjustment.
- Double DIN Dash Kit included.
- EIA color coded wiring for easy installation.

### PARTS INCLUDED:



GM-48D Module



GM-48D Harness (GM-C2)

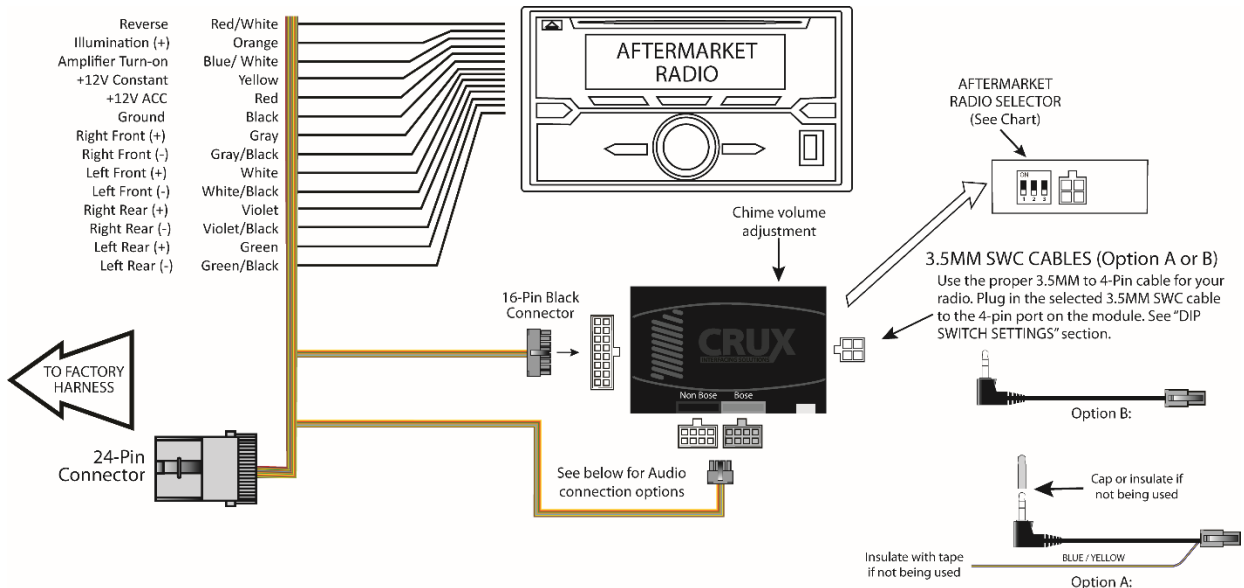


SWC Cables



Double DIN Dash Kit

### INSTALLATION DIAGRAM:



### NOTES:

1. The Front and Rear fading are not retained on Y-91 Bose System.
2. Chime includes: seat belt, check engine, key in ignition, low fuel, low oil and lights on.





### DIP SWITCH SETTINGS:

#### SETTING THE AFTERMARKET RADIO BRAND

With the key in the off position, set the DIP switches to the corresponding radio listed below. See page 4 for SWC button functions.

RADIO BRAND:	DIP#:	1	2	3
Atoto, Dual, Fahrenheit, Jensen		OFF	ON	ON
Pioneer, Power Acoustik, Soundstream		OFF	ON	ON
Blaupunkt, Most off-brand Radio		OFF	ON	ON
Alpine		OFF	OFF	OFF
Clarion		ON	ON	OFF
Kenwood		ON	ON	ON
JVC		ON	OFF	ON
Boss, Old Sony		ON	OFF	OFF
New Sony		OFF	ON	OFF

SWC MODULE  
DIP SWITCH



**NOTE:** For Atoto, Blaupunkt, Dual, Fahrenheit, Power Acoustik, Soundstream, and most off-brand radios, check the aftermarket radio's manual to see if the SWC buttons need to be programmed.

#### 3.5MM SWC CABLE

The SWRGM-48D Module allows for both types of connections:

- OPTION A** is used for ALPINE, CLARION, JVC, and KENWOOD units (Blue/Yellow wire is attached)
- OPTION B** is used for BOSS, DUAL, FAHRENHEIT, JENSEN, PIONEER, POWER ACOUSTIK, SONY & SOUND STREAM units.

**NOTE:** Cap or insulate the 3.5mm plug or Blue/Yellow wire if not being used.

#### SELECTING THE AUDIO SYSTEM:

If the vehicle is equipped with a Bose system, the DKGM-48D has a built-in Bose adaptor that allows the proper audio input gain from the aftermarket radio to the Bose amplifier. To use this feature, plug in the male 8-pin connector on the harness to the GRAY female 8-pin connector on the GM-48D module. The module is also labeled "Bose" and "Non Bose" to avoid confusion. (see picture below)

If the vehicle is NOT equipped with a Bose system, plug in the male 8-pin connector to the BLACK female 8-pin on the GM-48D module.





### CHIME VOLUME ADJUSTMENT:

The DKGM-48D has a potentiometer to adjust the chime volume. It is set at half way by default. To adjust the volume, simply use a suitable screwdriver and turn the potentiometer clockwise to increase the volume and counter-clockwise to decrease the volume.

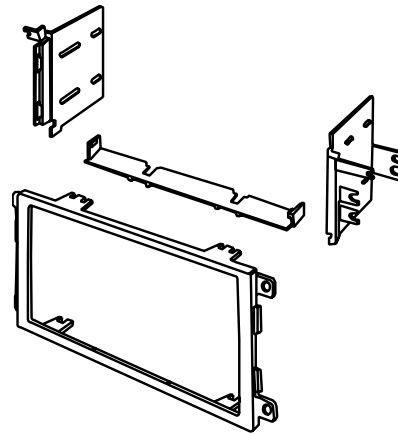
Chime  
Volume  
Adjustment



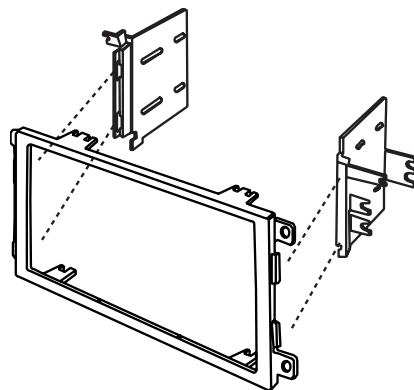
### DASH KIT INSTALLATION:

Please make sure that you have all the parts shown below.

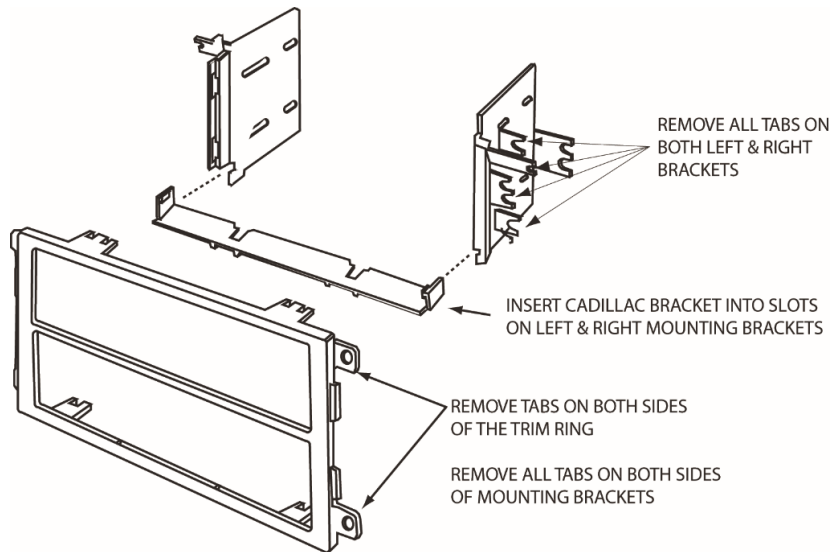
- (1) Main trim ring
- (1) Left ISO mounting bracket
- (1) Right ISO mounting bracket



### Dash Kit Assembly



For some Cadillac installation, see diagram below:



**VEHICLE APPLICATIONS:**

**Buick**

- 2004-2005 Century
- 2005-2007 LaCrosse
- 2004-2007 Rainier
- 2003-2007 Rendezvous
- 2005-2007 Terraza

**Cadillac**

- 2004-2006 Escalade

**Chevrolet**

- 2003-2006 Avalanche
- 2000-2005 Cavalier
- 2004-2013 Colorado
- 2005-2013 Corvette
- 2004-2007 Express
- 2000-2005 Impala
- 2001-2003 Malibu
- 2000-2005 Monte Carl
- 2003-2004 S-10
- 2003-2006 Silverado
- 2007 Silverado Classic
- 2003-2006 SSR
- 2003-2006 Suburban
- 2003-2006 Tahoe
- 2002-2009 Trailblazer
- 2005-2008 Uplander
- 2003-2005 Venture

**GMC**

- 2004--2011 Canyon
- 2002-2009 Envoy
- 2003-2007 Savana
- 2003-2006 Sierra
- 2007 Sierra Classic
- 2003-2006 Yukon

**Hummer**

- 2003-2007 H2
- 2005-2010 H3

**Isuzu**

- 2003-2008 Ascender

**Oldsmobile**

- 2001-2004 Alero
- 2002-2004 Bravada
- 2000-2004 Silhouette

**Pontiac**

- 2001-2005 Aztec
- 2001-2005 Grand Am
- 2004-2008 Grand Prix
- 2000-2006 Montana
- 2000-2005 Sunfire

**Saab**

- 2005-2008 9-7X

**Saturn**

- 2005-2007 Relay

