

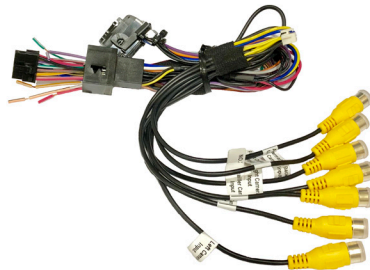
**PRODUCT FEATURES:**

- Adds a reverse camera input plus 6 video inputs.
- Uses the steering wheel control buttons to toggle between the sources.
- Turn signals automatically trigger the corresponding side camera.
- Turn signal camera trigger can be turned on or off by using the SWC button.

**PARTS INCLUDED:**



RFM-FD4 Module



RFM-FD4 Harness



CSV-FD-15 F150 Side Mirror Camera

**OPTIONAL ADD-ON CAMERAS:**

Optional add on cameras are available to complete the multi-view capability of the RFM-FD4. Cameras available and ***sold separately*** include: (More cameras can be found at [www.cruxinterfacing.com](http://www.cruxinterfacing.com))



CFD-15KL Tailgate Handle Camera



CFF-01 Bullet Type Front Camera  
 (Recommended)



CFF-02 Square Body Front Camera

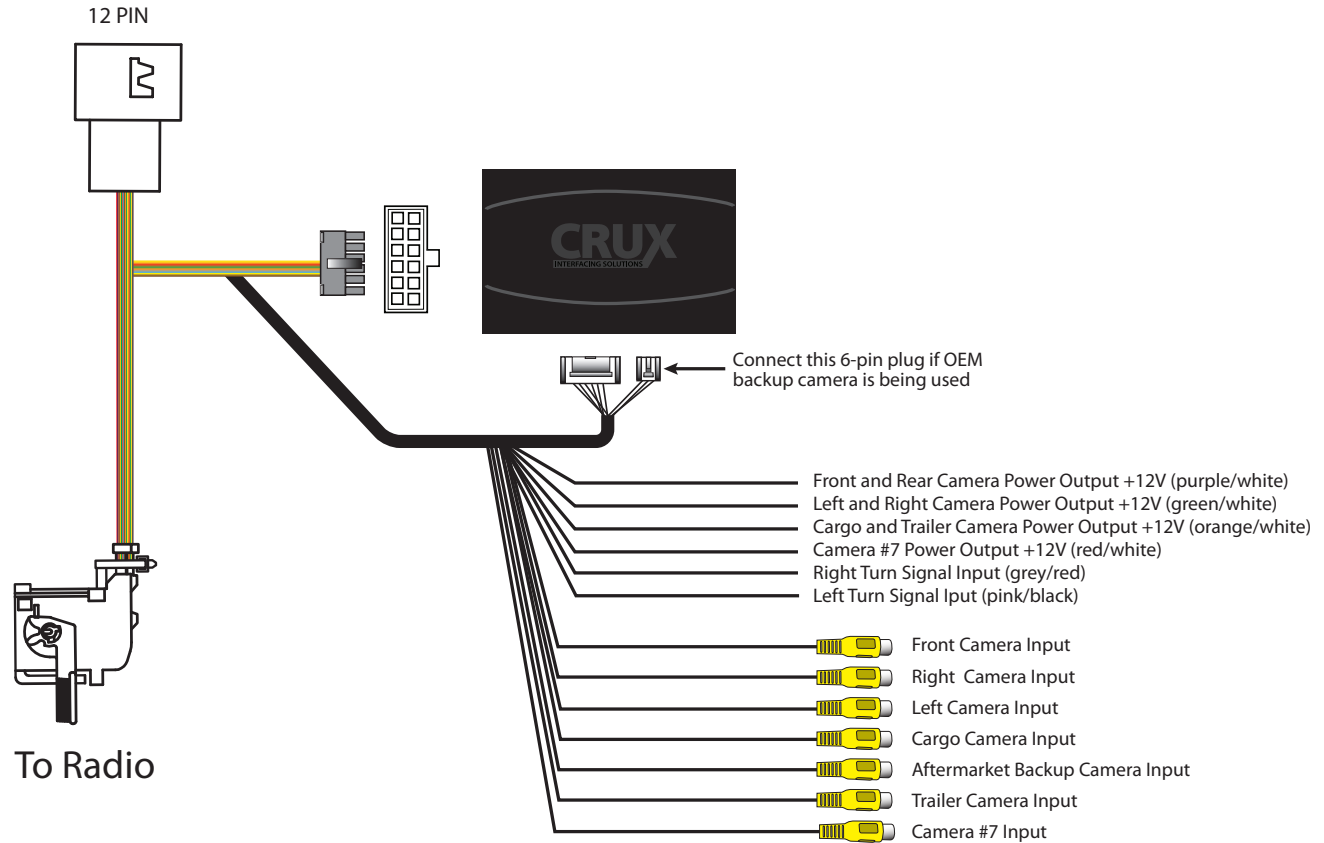


CFF-03 Grille Mount Front Camera



**INSTALLATION DIAGRAM:**

To Vehicle Harness



**DIP SWITCH SETTINGS:**

DIP#	ON	OFF
1	No Function – Leave OFF	
2	Front Camera ON	Front Camera OFF
3	Left Camera ON	Left Camera OFF
4	Right Camera ON	Right Camera OFF
5	Cargo Camera ON	Cargo Camera OFF
6	Trailer Camera ON	Trailer Camera OFF
7	Camera #7 ON	Camera #7 OFF
8	Set to ON	

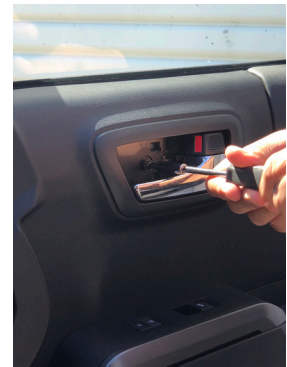


**OPERATION:**

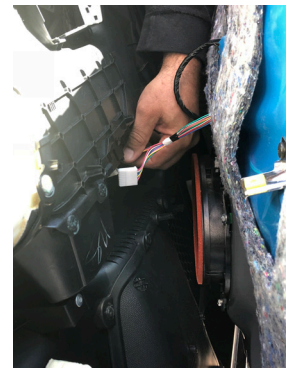
Side Mirror Mounted Camera Installation:



1. Remove the felt liner inside the door pull and remove the screw.



2. Remove the door unlock handle cover and remove the screw.



3. Use a plastic pry bar to remove the window sail. Remove the trim panel clips

4. Unhook the door panel by pulling it upward. Unplug the speaker and doorlock harness.



5. Use a fine hooked pick tool to remove the OEM side mirror cover. Fish the camera cable through the hole.

6. Tuck in the camera cable inside the cavity and snap in the CSV-FD15 side mirror cover with camera.



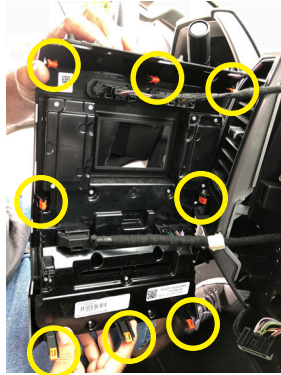
RFM-FD4 module installation:



1. Lift the rubber mat on the dashboard upper tray and remove the 2 screws.



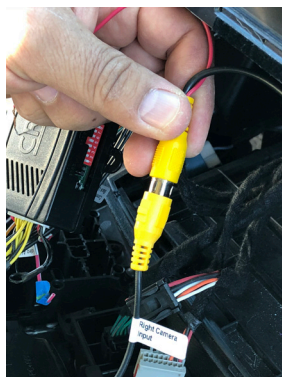
2. Remove the tray and remove the 2 screws holding the radio bezel.



3. Carefully pull out the radio bezel. This is held by multiple clips.



4. Remove the radio, unplug the 12-pin connector and plug it into the RFM-FD4 T-harness. Plug the other end of the T-harness to the radio.



5. Install the cameras and run the video and power cables towards the radio. Make the video and power connections. The RFM-FD4 provides +12V power to the cameras.



6. Plug the white, 18-pin connector of the T-harness to the RFM-FD4 module.



**OPERATION:**



1. Press and hold the SEEK UP button to toggle between the cameras. Each press of the button thereafter toggles to which ever cameras are turned on using the DIP switches.



2. The left and right turn signal triggers the respective side camera. See diagram on page 2 for wire connection information. To turn OFF/ON the automatic camera trigger function, select the turn signal to be turned OFF/ON then press and hold the SEEK DOWN button on the SWC.



3. The front camera (if installed) will automatically show on the screen for 10 seconds when the gear is put to Drive from Reverse.



4. With cargo cameras installed.



CSV-FD15 side mirror mounted camera.

**VEHICLE APPLICATIONS:**

**FORD**

2016 – 2018 F150 (with Sync 3 and removable OEM side mirror camera cover at the bottom)  
 Not compatible with telescopic type side mirrors.

