

INSTALLATION INSTRUCTIONS:

In order for the vehicle to recognize the camera and engage it when in reverse gear, the vehicle must be coded. Use the ODB II coder included in the RNS-VW kit.

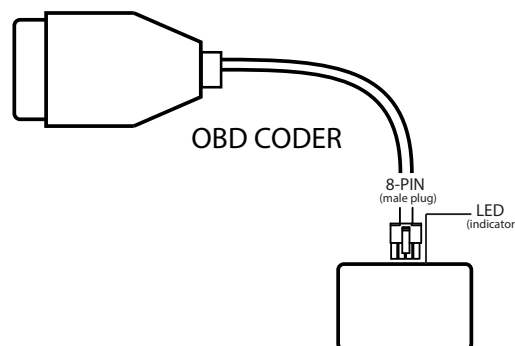
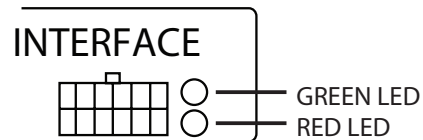
CODING THE RADIO FOR A BACKUP CAMERA

1. Locate the vehicle's OBD II port usually located under the steering column.
2. Enter the vehicle and CLOSE ALL DOORS.
3. Turn the key to the ON position.
4. Plug in the OBD coder from the RNS-VW kit to the OBD II port.
5. Wait for the OBD coder to finish coding the radio and give a solid GREEN LED. (See chart below)
6. The radio may flash a few time during this process. It can take around 5 seconds to complete the coding process. If an error occurs, retry the coding procedure.
7. After the coding is complete, disconnect the OBD coder and store in a safe place. This OBD coder is VIN specific and will only work on this vehicle.

DECODING THE RADIO

To decode the radio, repeat the steps above.

Reading the LED color pattern:	
Flashing LED	Coding Vehicle
Solid Green LED	Activated
Solid Red LED	Deactivated
Solid Red & Green LED	Error



USING THE POWER DOWN CIRCUIT

The power down circuit is designed to extend the life of the camera. NOTE: Green wire is only used to power the camera and module.

1. Tap the GREEN wire to 2 Red wires, one coming from the camera cable and one from the module.
2. Locate the reverse light trigger wire in the vehicle and connect it to the RED wire. This will trigger the 12V input.
3. Connect the YELLOW wire to any available 12V constant source in the car.
4. Connect the BLACK wire to a good chassis ground source.

VEHICLE APPLICATIONS:

VOLKSWAGEN

MFD3 RNS315 Navigation Radios

- 2012 – 2015 Beetle
- 2011 – 2014 CC
- 2011 – 2014 Golf
- 2011 – 2014 GTI
- 2011 – 2014 Jetta
- 2011 – 2014 Jetta SportWagen
- 2012 – 2014 Passat*
- 2011 – 2014 Tiguan

MFD3 RNS510 Navigation Radios**

- 2007 – 2009 Eos
- 2007 – 2009 Golf
- 2007 – 2009 Passat
- 2008 – 2009 Tiguan
- 2008 – 2010 Touareg

IMPORTANT NOTES:

*On the 2012 Passat radio (RNS315), the rear-view camera will start to function after the car goes to sleep/power down mode. After the coding process, turn key off and remove key. Open and close doors then lock the car. Wait for 3 minutes. Start the car and put the gear in reverse and confirm that the camera image shows on the screen.

**Certain U.S. version RNS-510 Radios (late 2009-up) may not have camera input capability. Please verify feature prior to purchase.



MFD3 / RNS315 Radio



RNS510 Radio

