

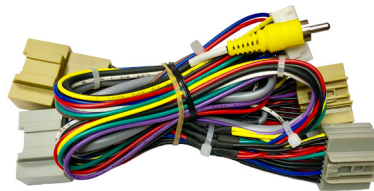
## PRODUCT FEATURES:

- Adds front and rear aftermarket camera inputs.
- Retains functionality of the OEM backup camera if present.
- Front camera automatically shows on the screen after changing the gear from reverse to drive.
- Programmable front camera delay OFF time using the OSD menu.

## PARTS INCLUDED:



RVCGM-80B Module



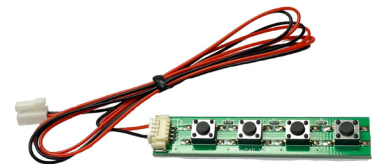
RVCGM-80B Power Harness



LVDS Cable



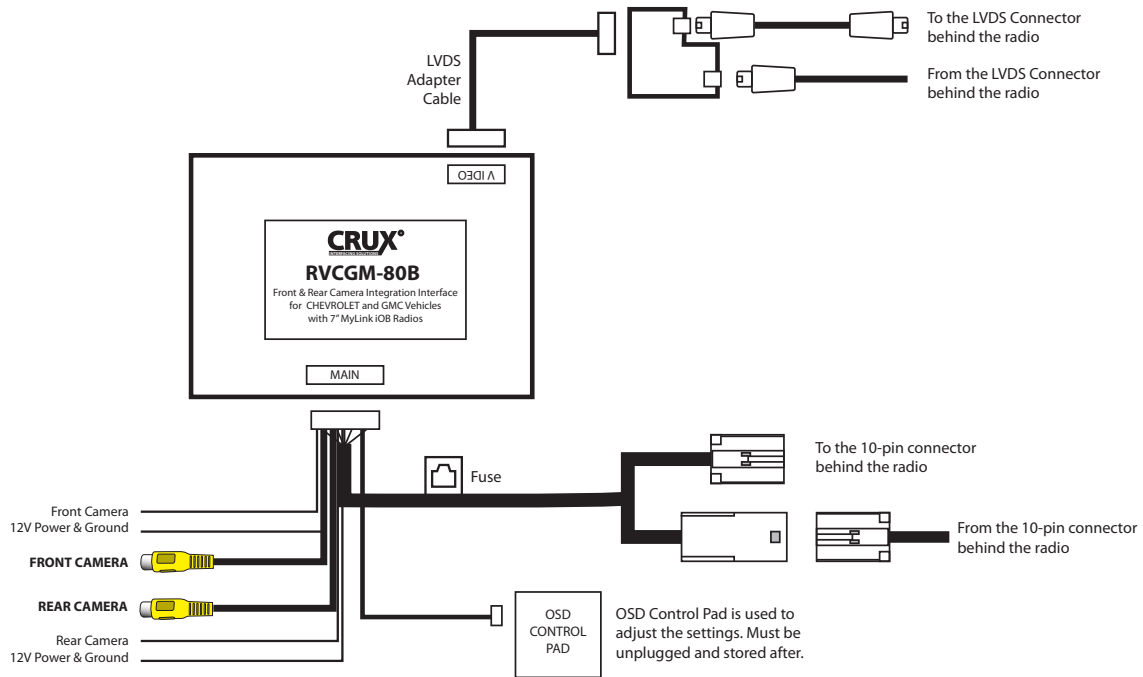
AV Cable



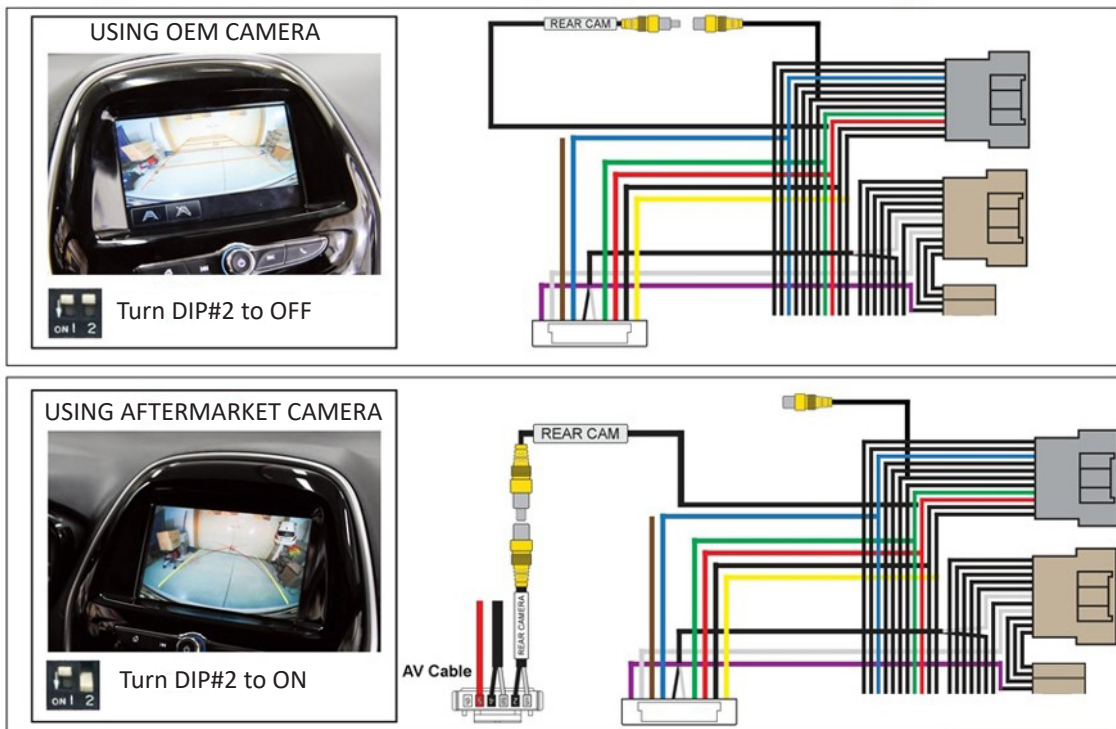
Keypad



**WIRING DIAGRAM:**



**REAR CAMERA CONNECTION**



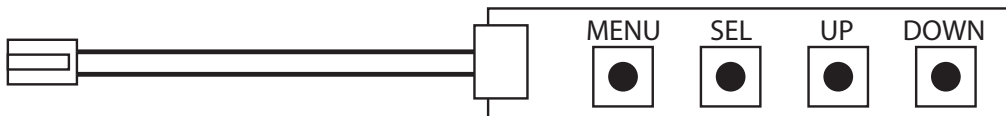
When using the OEM backup camera, set DIP#2 to OFF. Plug the male RCA (Rear Camera) to the female RCA (OEM Camera) found on the power harness. If an aftermarket backup camera is used, plug the male RCA (Rear Camera) to the female RCA (Rear Camera) of the AV Cable. Plug the front camera RCA to the female RCA (Front Camera) of the AV Cable. Use the RED wire (Front and Rear Camera +12V) to power both the front and rear cameras.

**DIP SWITCH SETTINGS:**

PIN	ON (▼)	OFF (▲)
1	Set to OFF	
2	Aftermarket Backup Camera	OEM Backup Camera
3	Front Camera ON	Front Camera OFF
4	Set to OFF	

**ON SCREEN DISPLAY (OSD) SETTINGS:**

Plug the Key Pad to the MODE port on the RVCGM-80B module and press the SEL button once to enter the OSD settings menu.



BUTTON	FUNCTION	OPERATION
② SEL	Enter Settings Menu	Short Press
① MENU	Back to previous Menu	Short Press
② SEL	Select Value	Short Press
③ UP      ④ DOWN	Move Pointer and adjust settings	Short Press



**REAR VIEW CAMERA SETTINGS**

**REAR VIEW**

**INPUT SOURCE**

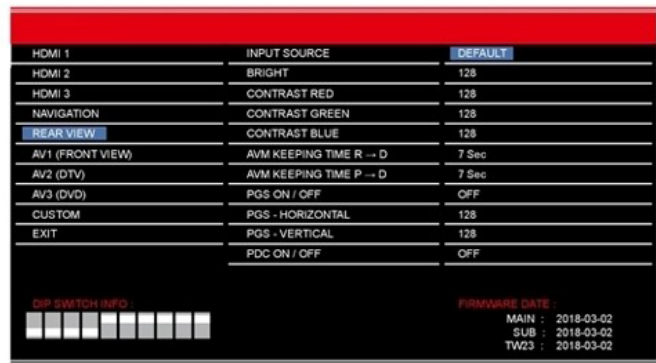
**OEM CAMERA**

- AVM (NOT APPLICABLE)
- EXTERNAL CAMERA (AFTERMARKET)

**OPTIONS:**

**BRIGHTNESS & CONTRAST**  
 Adjust Brightness and Contrast

**PGS (Parking Guidance System)**  
 Turn parking lines ON or OFF  
 Adjust position of parking guide lines



**REAR VIEW**

**INPUT SOURCE**

- OEM CAMERA
- AVM (NOT APPLICABLE)
- EXTERNAL CAMERA (AFTERMARKET)**

**OPTIONS:**

**BRIGHTNESS & CONTRAST**  
 Adjust Brightness and Contrast

**PGS (Parking Guidance System)**  
 Turn parking lines ON or OFF  
 Adjust position of parking guide lines



