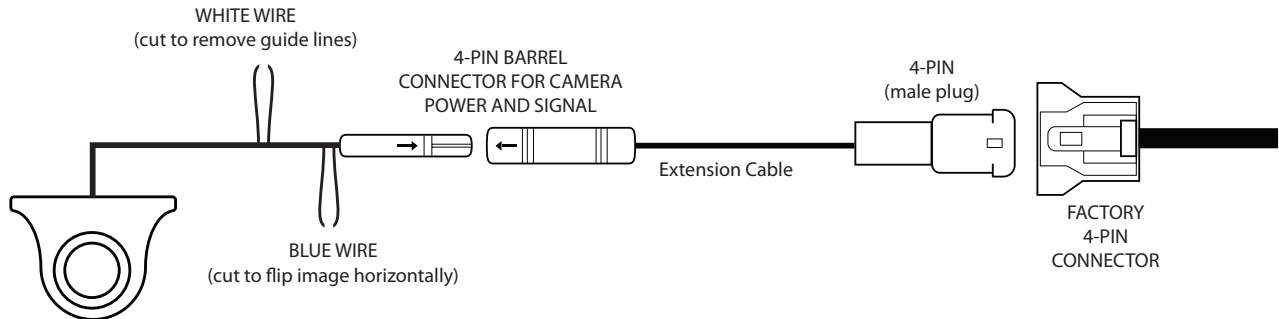


PRODUCT FEATURES:

- Automatically switches to rear-view when vehicle is in reverse gear.
- Aftermarket lip mount rear-view camera included.
- Plug & Play Installation.

INSTALLATION DIAGRAM:



Installing the Camera

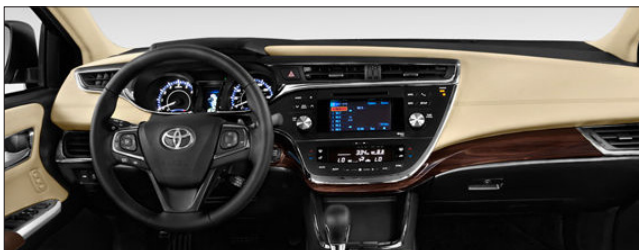
1. Remove the trunk panel cover and locate the factory 4-pin camera pre-wire cable.
2. Find a spot to mount the camera and drill a 5/8" hole using the hole saw included.
3. Route the camera power and video connections through 5/8" hole. Do not secure the camera yet until after testing the viewing angle.
4. Connect the 4-Pin plug of the RVCTY-71A camera harness to the factory 4-pin connector.
5. Disconnect the negative battery terminal for a few seconds and reconnect to reset the factory system and recognize the new camera.
6. Test the camera by putting the vehicle in reverse gear.
7. Check the camera viewing angle before securing it.
8. Re-install the trunk panel cover.



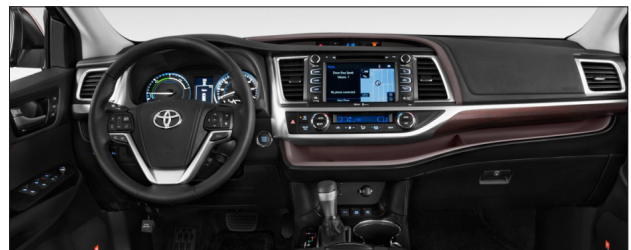
Factory 4-Pin connector

VEHICLE APPLICATIONS:

- 2013 - 2014 Avalon
- 2014 Highlander



2014 Avalon



2014 Highlander

