

PRODUCT FEATURES:

- Adds a front, backup and cargo camera input.
- Adds an audio/video input.
- Uses a factory steering wheel control button to force view the video sources. (except OEM backup camera. See page 3)
- Retains factory backup camera if present.
- Plug and play installation.

PARTS INCLUDED:



VRFCH-75L Module



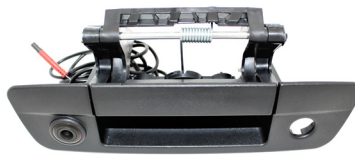
VRFCH-75L Harness

OPTIONAL ADD-ON CAMERAS:

Optional add on cameras are available to complete the multi-view capability of the VRFCH-75L. Cameras available and ***sold separately*** include:



CDR-31C Cargo Camera
for RAM Trucks



CDR-02 Tailgate Handle Camera



CUB-15 Adjustable Angle Camera



CFF-01 Bullet Type Front Camera



CFF-02 Square Body Front Camera

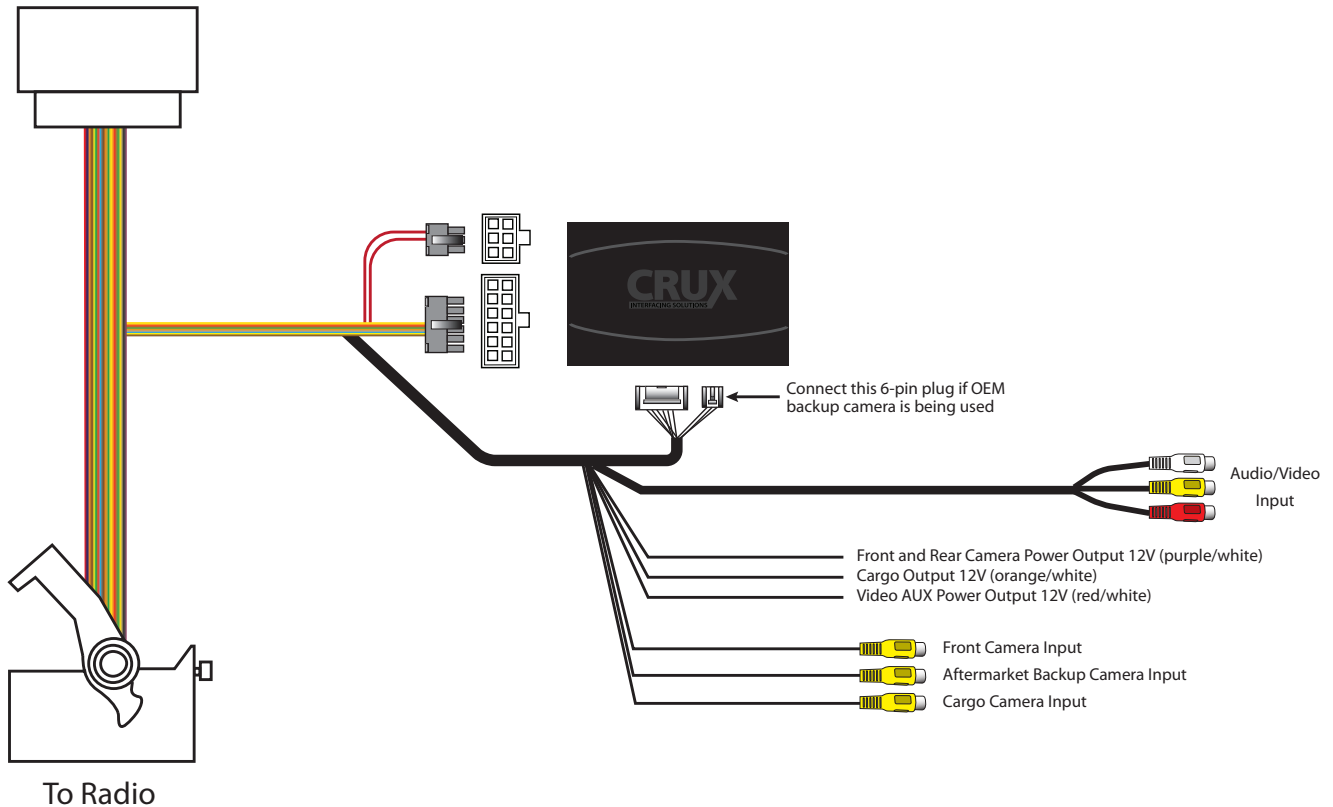


CFF-03 Grille Mount Front Camera



INSTALLATION DIAGRAM:

To Vehicle Harness

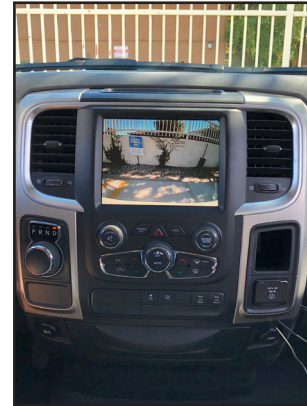


DIP SWITCH SETTINGS:

DIP#	ON	OFF
1	No Function – Leave OFF	
2	Front Camera ON	Front Camera OFF
3	No Function – Leave OFF	
4	No Function – Leave OFF	
5	Cargo Camera ON	Cargo Camera OFF
6	No Function – Leave OFF	
7	AUX A/V ON	AUX A/V OFF
8	Set to OFF	



OPERATION:



1. Whether an aftermarket or OEM backup camera is used, putting the gear in reverse will automatically show the backup camera image on the screen.

2. Putting the gear to drive after the reverse process turns on the front camera for 7 seconds.



3. To force view the cameras installed, press and hold the rear right side steering wheel control middle button to toggle through the cameras. (***Forced view of the backup camera is only available if using an aftermarket backup camera.***) While in reverse gear, press and hold the same button to toggle between reverse camera and video input (i.e cargo or trailer camera).

4. To use the AV input, press and hold the left rear side steering wheel control middle button to toggle to AV mode. Audio plugged in the AV RCAs will automatically be heard through the OE audio system. No need to plug to the AUX input of the vehicle.

FORCED VIEW CAMERA SEQUENCE:

Using OEM backup Camera

FRONT → VIDEO INPUT

Using Aftermarket backup Camera

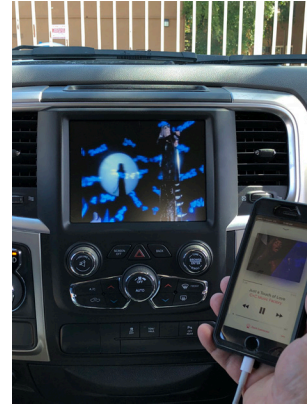
FRONT → BACKUP → VIDEO INPUT



Sample cargo camera view and A/V Input:



Cargo View



A/V Input Mode

VEHICLE APPLICATIONS:

Compatible with 8.4" Uconnect Systems

CHRYSLER

2015 - 2018 300

DODGE

2015 - 2018 Charger
2015 - 2018 Challenger
2014 - 2017 Durango

JEEP

2014 - 2017 Grand Cherokee

RAM

2013 - 2018 1500
2013 - 2018 2500
2013 - 2018 3500

NOTE: NOT compatible with 2018 Panasonic screens with CarPlay function.

