

PRODUCT FEATURES:

- Adds front and backup camera input.
- Adds an extra video input for another camera.
- Adds an audio/video input and output.
- Uses the steering wheel control buttons to toggle between the sources.
- Retains factory backup camera if present.

PARTS INCLUDED:



VRFCH-75Y Module



VRFCH-75Y Harness

OPTIONAL ADD-ON CAMERAS:

Optional aftermarket add on cameras are available for the VRFCH-75Y. Cameras available and ***sold separately*** include: (More cameras can be found at www.cruxinterfacing.com)



CDR-31C Cargo Camera
for RAM Trucks



CDR-02 Tailgate Handle
Camera for RAM Trucks



Jeep Wrangle Spare Tire
Mount Camera



CUB-15 Adjustable
Angle Camera



CFF-01 Bullet Type Front
Camera



CFF-02 Square Body Front
Camera



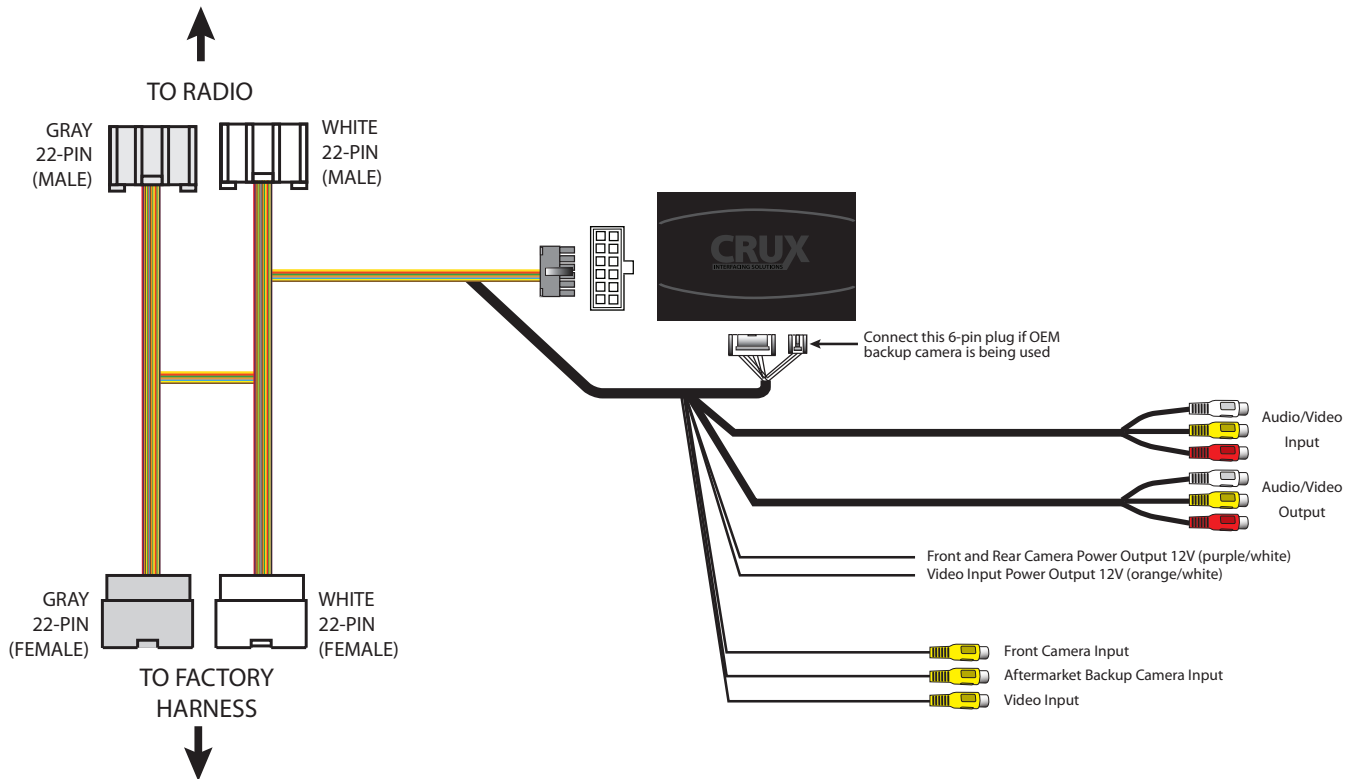
CFF-03 Grille Mount Front
Camera



CUL-16 Universal Lip Mount
Camera



INSTALLATION DIAGRAM:



DIP SWITCH SETTINGS:

DIP#	ON	OFF
1	No Function – Leave OFF	
2	Front Camera ON	Front Camera OFF
3	Set to OFF	
4	Set to OFF	
5	Video Input ON	Video Input OFF
6	Set to OFF	
7	AUX A/V ON	AUX A/V OFF
8	Set to OFF	



OPERATION:

Installation example is on a 2016 Jeep Wrangler. Other vehicle installation will vary.



1. Remove the rubber lining on the compartment on the dashboard. Remove one screw.



2. Carefully pry out the power window switch assembly.



3. Unplug the power window switch connector.



4. Remove the screw behind the power window switch housing.



5. Remove the lower panel under the steering wheel column.



6. Remove the screw holding the upper dash trim panel.





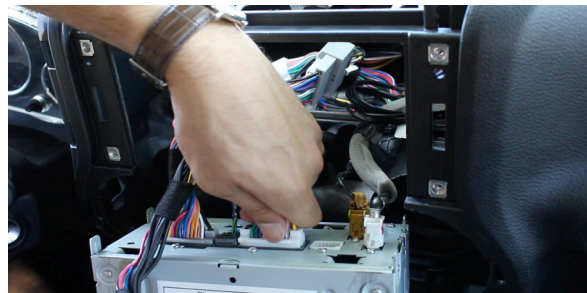
7. Raise the upper dash panel to release the radio bezel.



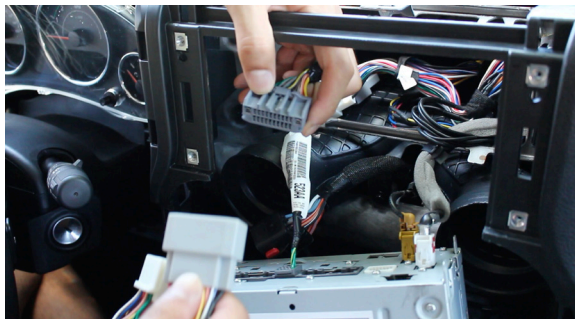
8. Carefully pull out the radio bezel and set aside.



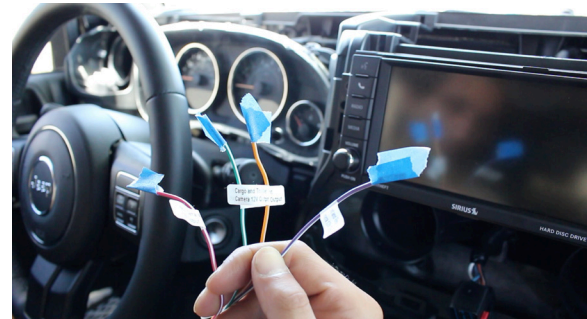
9. Remove the 4 screws holding the radio.



10. Pull out the radio and unplug the OEM connectors.

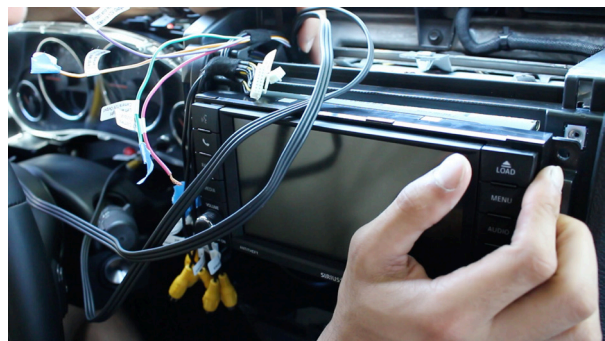


11. Plug in the VRFCH-75Y T-harness between the radio and vehicle harness.



12. Plug the camera cables and connect the corresponding camera power output wires.

13. Mount the cameras being used and tuck the module and the harness behind the radio. Reverse the process to reinstall the radio and trim panels.





14. To force view and toggle between the cameras, press and hold the middle button on the right side steering wheel control. Each press will toggle to the camera that is set to ON on the DIP switches. See page 2 for DIP switch settings.



15. The front camera (if installed) will automatically show on the screen for 10 seconds when the gear is put to Drive from Reverse.

To enter AV mode, press and hold the left side steering wheel control center button for 5 seconds then press "View Video" on the screen.



FORCED VIEW CAMERA SEQUENCE:

Using OEM backup Camera

FRONT → VIDEO INPUT → AV INPUT

Using Aftermarket backup Camera

FRONT → BACKUP → VIDEO INPUT → AV INPUT

VEHICLE APPLICATIONS:

CHRYSLER

- 2011 – 2014 200
- 2008 – 2010 300/300C
- 2008 – 2010 Aspen
- 2007 – 2011 Sebring
- 2008 – 2017 Town & Country

DODGE

- 2007 – 2015 Avenger
- 2010 – 2012 Caliber
- 2008 – 2017 Caravan
- 2009 – 2014 Challenger
- 2008 – 2010 Charger
- 2008 – 2012 Dakota
- 2008 – 2013 Durango
- 2009 – 2010 Journey
- 2007 – 2012 Nitro

JEEP

- 2008 – 2010 Commander
- 2008 – 2016 Compass
- 2008 – 2013 Grand Cherokee
- 2008 – 2015 Liberty
- 2009 – 2017 Patriot
- 2007 – 2018 Wrangler

RAM

- 2009 – 2012 Ram

