

**PRODUCT FEATURES:**

- Enables wireless (Wi-Fi) Audio/Video mirroring from mobile devices to the OEM screen.
- Provides an audio/video input which can also be used to add a camera.
- Includes a USB input to play audio and video files.
- Provides a virtual remote control via a smartphone wifi connection.
- Dual band (5GHz and 2.4GHz) Wifi capability for clear connection.
- Includes HMDI output for high quality video.
- Works with Facetime, Maps, Skype, YouTube, and other apps.

**WORKS WITH:**



OS 4.2 and newer

**PARTS INCLUDED:**



WVICH-03M MODULE



WVICH-03M HARNESS



WVI-H WiFi Module



Extension AV Cable



Power Harness



Dual Antennas



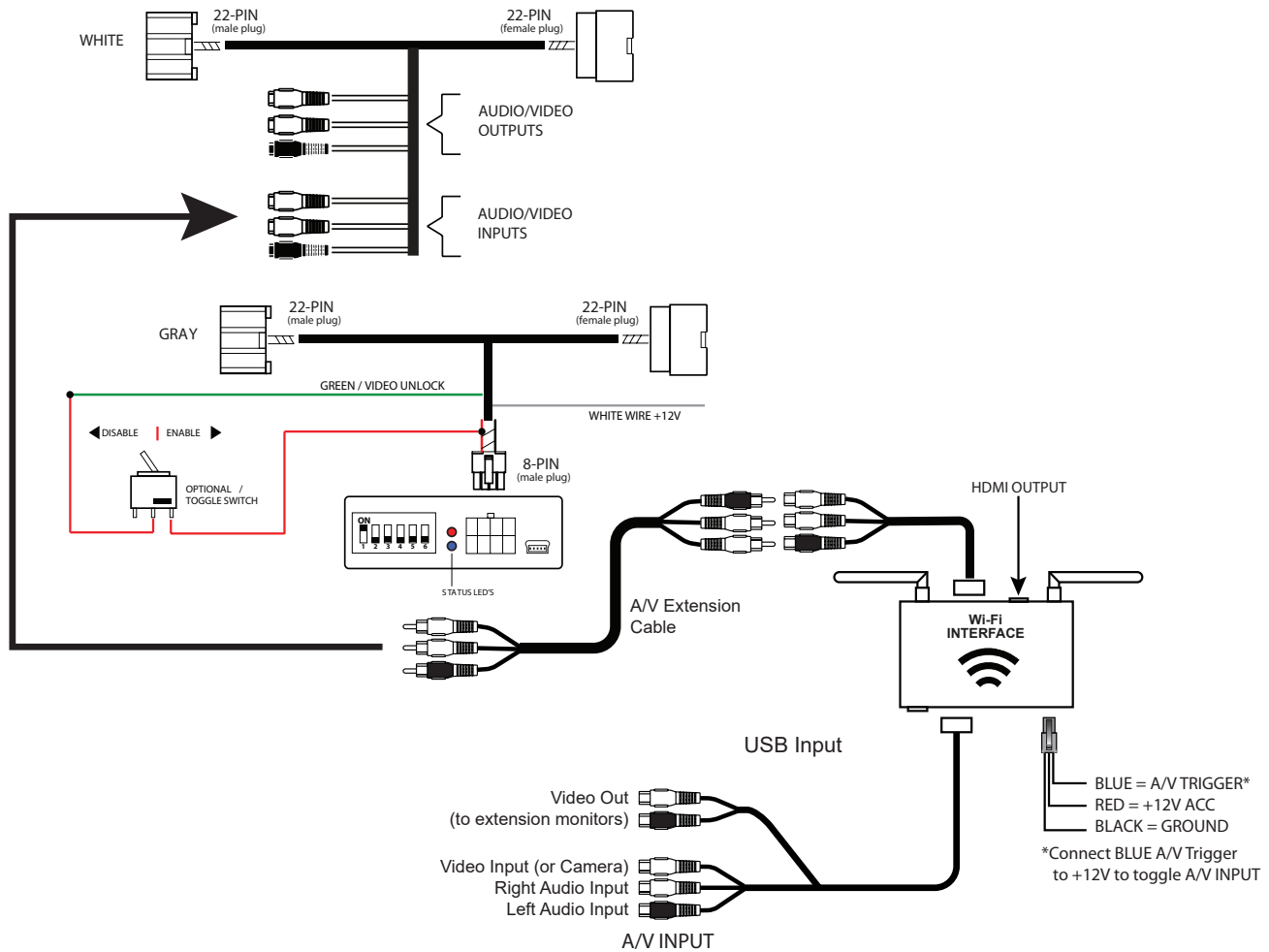
WiFi AV Out Harness



AV In / Video Out Harness



**INSTALLATION DIAGRAM:**



**INSTALLATION INSTRUCTIONS:**

**THE AV INTERFACE:**

1. Remove the factory radio from the dashboard.
2. Unplug the factory connectors from behind the factory radio.
3. Mate the WVICH-03M T-Harness connections to the factory connectors. (Make sure all connectors are properly seated into the interface and into the radio.)
4. On the CAN Module, set DIP switch number 1 to ON to enable AV Input.
5. Switch to the new AV input by pressing the **MEDIA** button on the radio then select VES. If the radio does not have a MEDIA button use the GREEN wire option to toggle the AV source by connecting it to +12V. We recommend using a toggle switch to use this feature.



**THE WIFI INTERFACE:**

1. Connect the 18-Pin power/video cable to the Wi-Fi Interface module.
2. Connect the antenna leads to the module.
3. Connect the RED power lead to +12V ACC and the BLACK wire to Ground.
4. Connect the BLUE A/V Input wire to +12V to trigger the optional A/V input feature. The video input can also be connected to a camera source instead. A toggle switch (not included), wired between the BLUE wire and +12V can be used to switch ON or OFF the A/V input feature.
5. If the USB input feature will be used, you can use the virtual remote control on your smartphone to control the USB functions. See VIRTUAL REMOTE section for details. Extended a USB cable to an easily accessible location.
6. Plug in the Composite RCA output of the WVI-H harness to the WVICH-03 AV input.
7. Switch to the new AV input by pressing the BACK button on the radio or the middle button on the SWC. (See below)
8. Test the interface and re-install the radio into the dash.

**DIP SWITCH SETTINGS ON THE MODULES:**

Make sure the DIP#1 is set to the ON position. This sets the programming to the vehicle.



DIP 1	SET TO ON		
DIP 2	OFF	Not Used	
DIP 3	OFF	Not Used	
DIP 4	OFF	Not Used	
DIP 5	OFF	Not Used	
DIP 6	OFF	Not Used	

**SWITCHING TO THE VIDEO INPUT:**

Press the **MEDIA** button once to switch to the AV source.

Select **VES** to enter the AV mode.

NOTE: If there is no video signal flowing through the AV input, there will be a BLUE screen present. To exit, simply press the MEDIA button again.



**SETTING YOUR DEVICE:**

With the WVI-H module ON and READY:

**For iOS Devices:**

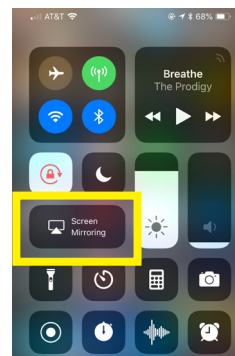
**NOTES:**

1. Does not support Netflix and any DRM protected files on iOS devices due to Restrictions by Apple.

Open settings > Select **Wi-Fi** > Under  
**'Choose Network'** Select **"Crux WiFi \*\*\*"**



After connecting to Crux Wifi, select  
**"SCREEN MIRRORING"** from the Control  
Center and tap **Crux Wifi \*\*\***. To access  
Control Center, on iPhone X, pull down  
from the upper right corner of the screen,  
on other iPhone models, pull up from the  
bottom of the screen.



**For Android Devices:**

From the drop down drawer, press **"Quick Connect"** > Select **"Crux Wifi \*\*\*"**

**Notes:**

- 1) Make sure the **"Power Saving Mode"** is turned off.
- 2) Make sure **Quick Connect** is updated to the latest version.

**MIRRORING:**

The mirroring connection uses a direct Wi-Fi connection to transfer the Audio and Video from your device to the WVI-H module. This does not require an active network. If your smartphone has the Screen Time Out enabled and your display goes to sleep mode, you will no longer see the image on the screen. Deactivate this feature for continuous viewing



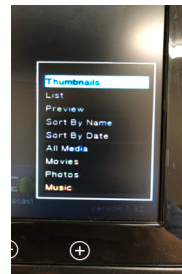
**VIRTUAL REMOTE CONTROL:**

The WVI-H comes with a Virtual Remote Control via a Wifi connection. To access the virtual remote control, make sure that the phone is connected to Crux Wifi \*\*\*. Open your web browser and type in the following on the address bar: **192.168.59.254**

The Virtual Remote control will open. Use the virtual remote control to PLAY, PAUSE, STOP, TRACK UP/DOWN, VOLUME UP/DOWN, etc.



Plug in a USB thumb drive to the USB cable port of the WVI-H. Tap OPTIONS on the Virtual Remote Control to select MOVIES, PHOTOS, MUSIC, etc. Use the remote to play/pause or skip tracks.



Tap SETUP to change settings on VIDEO, SYSTEM, NETWORK, and AUDIO. We recommend NOT to change any SYSTEM settings as this would interfere with the WVI-H functionality.



**VEHICLE APPLICATIONS:**

**CHRYSLER**

- 2011-2013 200
- 2008-2010 300/300C
- 2008-2010 Aspen
- 2007-2011 Sebring
- 2008-2017 Town & Country

**DODGE**

- 2007-2015 Avenger
- 2010-2012 Caliber
- 2008-2017 Caravan
- 2009-2014 Challenger
- 2008-2010 Charger
- 2008-2012 Dakota
- 2008-2013 Durango
- 2009-2010 Journey
- 2007-2012 Nitro
- 2009-2012 Ram

**JEEP**

- 2008-2010 Commander
- 2008-2016 Compass
- 2008-2013 Grand Cherokee
- 2008-2015 Liberty
- 2009-2017 Patriot
- 2007-2017 Wrangler

**VOLKSWAGEN**

- 2009-2013 Routan

