

### Vehicle Applications

Late 2015 to 2016 Land Rover vehicles with InControl, Version 4 radio.

### Navigation / Radio Compatibility

InControl touch screen navigation radios, Version 4.



Version 1



Version 2



Version 3



Version 4

### Parts Included



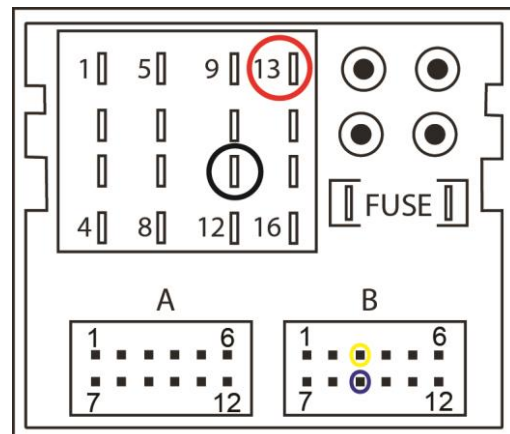
VIMLR-89B Interface Module



LR-89B Harness

### Wiring Diagram

Function	Pin-No.
CAN-HIGH (Yellow)	Pin 3 (chamber B)
CAN-LOW (Blue)	Pin 9 (chamber B)
+12V Constant (Red)	Pin 13
Ground (Black)	Pin 11



**Please note that the given information must be verified by the installer. Crux Interfacing assumes no liability for changes in wire color or pin assignments made by the vehicle manufacturer.**



**Installation Instructions**

**DIP Switch Setting**

Vehicle/ Navigation	Dip 1	Dip 2	Dip 3	Dip 4	Dip 5	Dip 6
Land Rover <b>without</b> rear-view camera	<b>ON*</b>	OFF	OFF	OFF	<b>ON</b>	<b>ON</b>
Land Rover <b>with</b> rear-view camera	<b>ON*</b>	<b>ON</b>	OFF	OFF	<b>ON</b>	<b>ON</b>

\*With DIP1 set to OFF, the Green wire is used to activate the video-in-motion function.

**Note:** Dip switch functions of the VIMLR-89B

Dip 1 – Activation VIM

Dip 2 – Factory Rear-view camera present

Dip 3 – no function

Dip 4 – no function

Dip 5 – CAN-bus termination resistor on the vehicle side

Dip 6 – CAN-bus termination resistor on the head-unit side

**Activation of the Video-In-Motion function**

The Video-In-Motion can be activated and deactivated by DIP 1 or by the loose green wire on the harness when connected to a +12V ACC source.

Video-In-Motion permanent

With DIP1 set to ON, the video-in-motion function is activated permanently without disturbing the navigation performance.

Video-in-motion selective

With DIP1 set to OFF, the green wire is used to activate and deactivate the video-in-motion function.

Connect a toggle switch between the green wire and +12V ACC.

- +12V = Video-in-motion is activated
- 0V = Video-in-motion is not activated

InControl Touch Screen  
Navigation radio, Version 4

