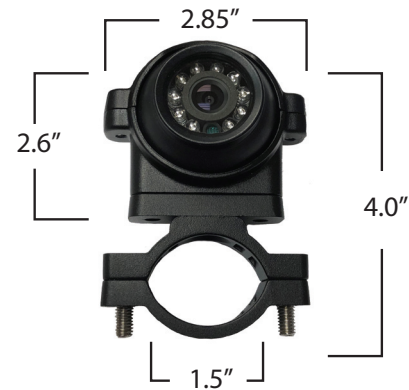


PRODUCT SPECIFICATIONS:

- Sensor: 1/3" SONY® CCD sensor.
- Pixels: 975H x 582V (NTSC)
- Resolution: 700TVL (horizontal)
- Tube mounting diameter: 1.5"
- Viewing Angle: 130°
- Illumination - .01Lux (12 IR LEDs)
- Connection: G16 Aviation 4pin connectors
- Power Supply: 12V to 24V
- Operating Temperature: -20° - +60°
- Waterproof: IP68 Rated



NOTE:

Optional extension cables are available in the following lengths and are sold separately:
4PA-3 (3 meters), 4PA-5 (5 meters), 4PA-10 (10 meters) and 4PA-20 (20 meters).

PARTS INCLUDED:



CTM-TM2 CAMERA



10 Meter Extension Cable



4 Pin to RCA Adapter

INSTALLATION DIAGRAM:

