

**PRODUCT FEATURES:**

- Retains functionality of Factory-installed Navigation System for passenger access at anytime
- Plug & Play Converter Solution for HDMI to Composite Devices
- Adds video input for front camera with force activation.
- Compatible with iOS Devices with Lightning Connector [Requires Apple Lightning to HDMI adapter (Apple part# MD826ZM/A). Sold separately
- For Android devices please see part # WVITY-08

**NOTES:**

- Compatible with Entune<sup>®</sup> radios (radio has an "APPS" button).

**PARTS INCLUDED:**



AVITY-08 Module

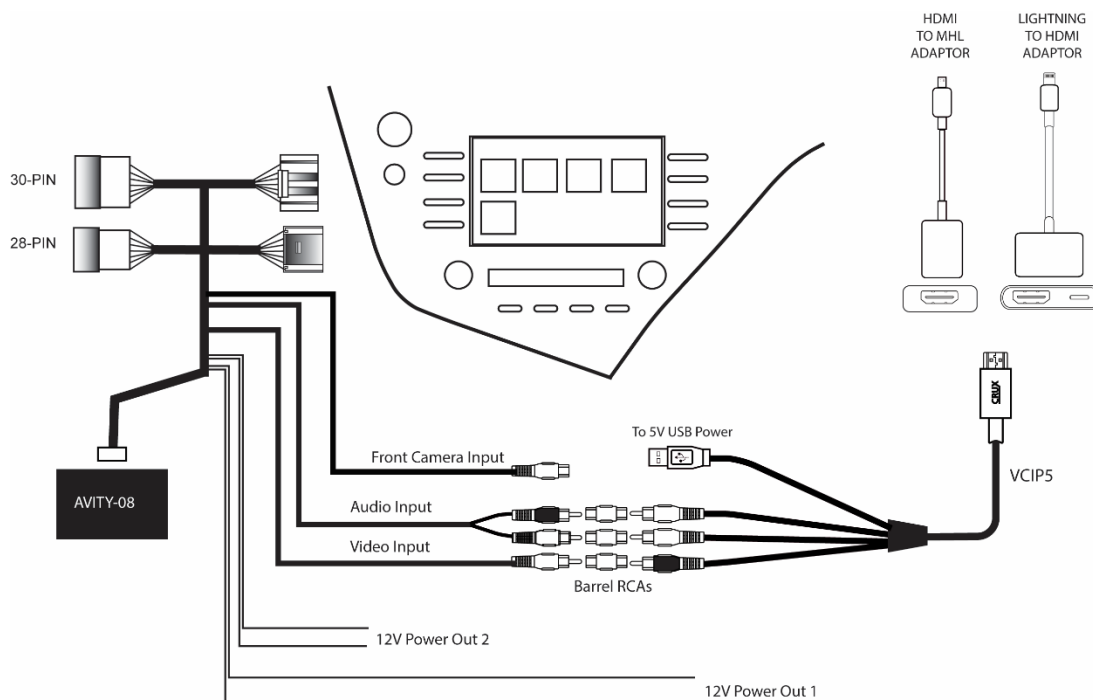


AVITY-08 Harness



VCIP5 (HDMI to Composite Adapter)

**INSTALLATION DIAGRAM:**



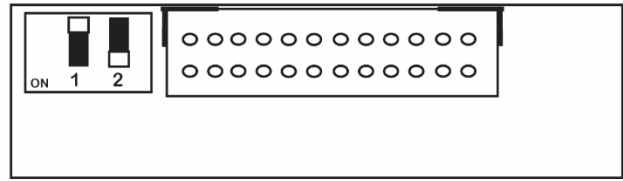
**INSTALLATION:**

THE AV INTERFACE:

1. Remove the factory radio from the dashboard.
- Note: DO NOT disconnect the airbag connector.
2. Remove the factory connectors from behind the factory radio.
3. Mate the T-Harness connections to the factory connectors. (Make sure all connectors are properly seated into the interface and into the radio.)
4. Set DIP switches for desired function activation.

**DIP Switch Settings:**

DIP SWITCHES		ACTIVATION
OFF	OFF	A/V INPUT ONLY
ON	OFF	FRONT CAMERA ONLY
OFF	ON	A/V INPUT & FRONT CAMERA



**Toggle Video Sources**



Press and hold the SEEK UP button for 3 seconds to toggle Video source



**RADIO COMPATIBILITY:**

**Toyota Entune<sup>®</sup>**

**TOYOTA**

- 2018 - 2021 Camry
- 2019 - 2021 Corolla
- 2020 - 2021 Prius (not compatible with 11.6" screen)
- 2019 - 2021 RAV4
- 2020 - 2021 Tacoma



2020 Tacoma Radio



2020 Corolla Radio

