

**PRODUCT FEATURES:**

- For maintaining factory GMSL (Gigabit Multimedia Serial Link) camera when removing factory radio.
- No Dealer programming required.

**PARTS INCLUDED:**

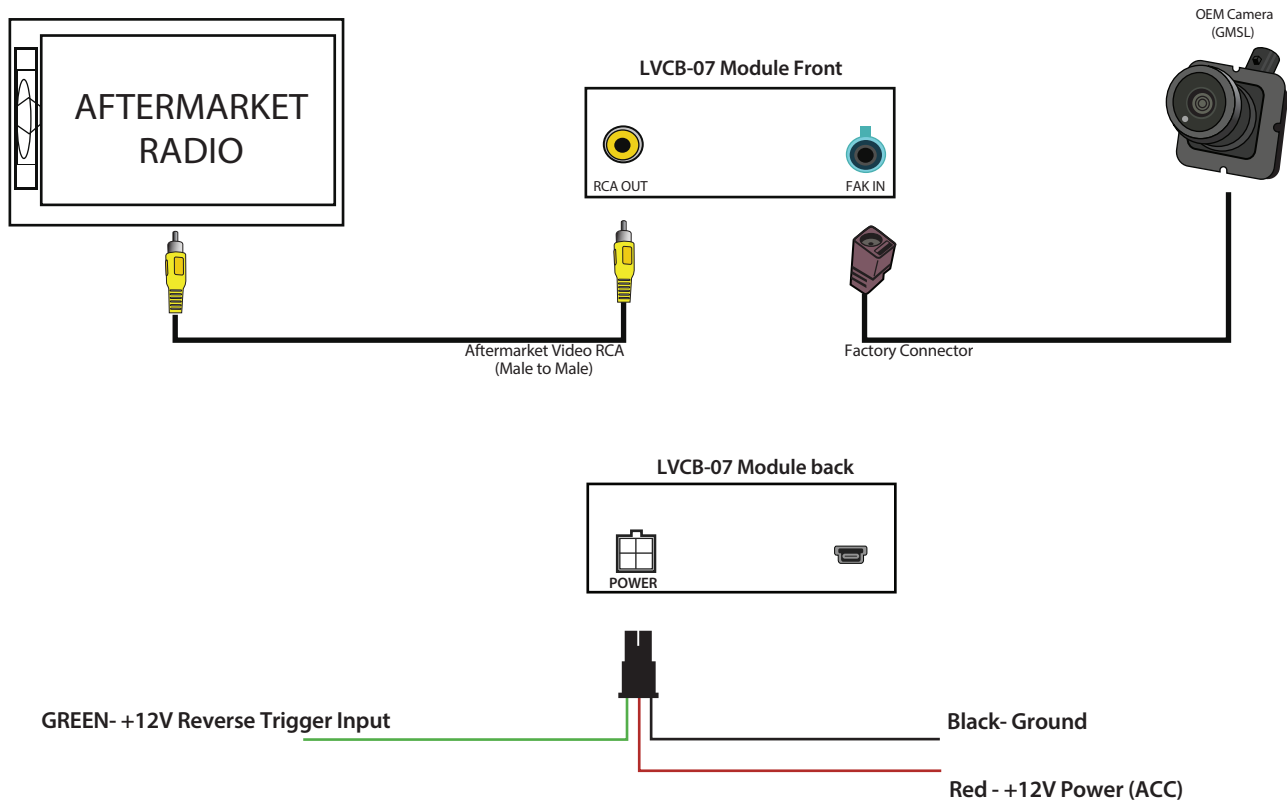


LVCB-07 Kit



Video Cable (Male to Male)

**INSTALLATION INSTRUCTIONS:**



**INSTALLING THE LVCB-07 INTERFACE**

1. Connect the female Fakra connector of the vehicle factory GMSL camera to the male Fakra socket (FAK IN) of the LVCB-07 interface box.
2. Connect the a video RCA (RVC OUT) of the LVCB-07 interface box with the rear view camera input connection of an aftermarket radio/monitor.
3. Connect the Black wire of the LVCB-07 harness to ground.
4. Connect the Red wire of the LVCB-07 harness to +12V ACC power
5. Connect the Green wire of the LVCB-07 harness to +12V reverse gear lamp signal.

<b>LED color pattern:</b>	
Blue LED	Input Source Valid
Green LED	Signal Present
Red LED	Power Voltage Active

**Setting the DIP switches of the Interface Box.**

Device	DIP 1	DIP 2	DIP 3
Small Resolution (Old Vehicles)	OFF	OFF	OFF
Large Resolution (New Vehicles)	ON	OFF	OFF
Camera Type 3 (ProMaster)	OFF	ON	OFF

\*For larger resolution vehicles, turn dipswitch 1 on. (Ex. 2020 Dodge Ram Rebel 8" screen)

**After each change of the DIP switch settings you have to execute a power reset of the interface box!**

**TROUBLESHOOTING**

If you see a Blue screen / Blue LED is off, that means there is no video signal reaching device.

Please make sure the cable is properly connected.

**VEHICLE APPLICATIONS:**

**RAM**

- 2019 - 2022 RAM\*
- 2014 - 2020 Promaster 3" screen
- 2015 - 2021 Promaster 5" screen\*
- 2015 - 2022 Promaster City 3" screen
- 2015 - 2022 Promaster City 5" screen\*

**JEEP**

- Late 2017 - 2020 Compass
- 2021 - 2024 Compass\*\*
- 2020 - 2022 Gladiator
- 2018 - 2024 Renegade
- 2018 - 2022 Wrangler

\*For larger resolution vehicles, turn dipswitch 1 on. (Ex. 2020 Dodge Ram Rebel 8" screen)

\*\*Some Jeep Renegade & Jeep Compass vehicles have an issue with the factory dashboard so door chimes, interior/alarm, turn signals, & hazard audible chimes do not work or are inaudible. Therefore, when you use this interface those issues will still persist. This is a factory speaker wire issue NOT SWRCR-59LV interface.

\* NOTE: 2018 and newer RAM Promaster and RAM Promaster City have a digital camera, Please use the CRUX Part# SWRCR-59LV to convert the digital signal to composite to retain the factory camera.

