

PRODUCT FEATURES:

- For maintaining factory GMSL (Gigabit Multimedia Serial Link) camera when removing factory radio.
- No Dealer programming required.

PARTS INCLUDED:

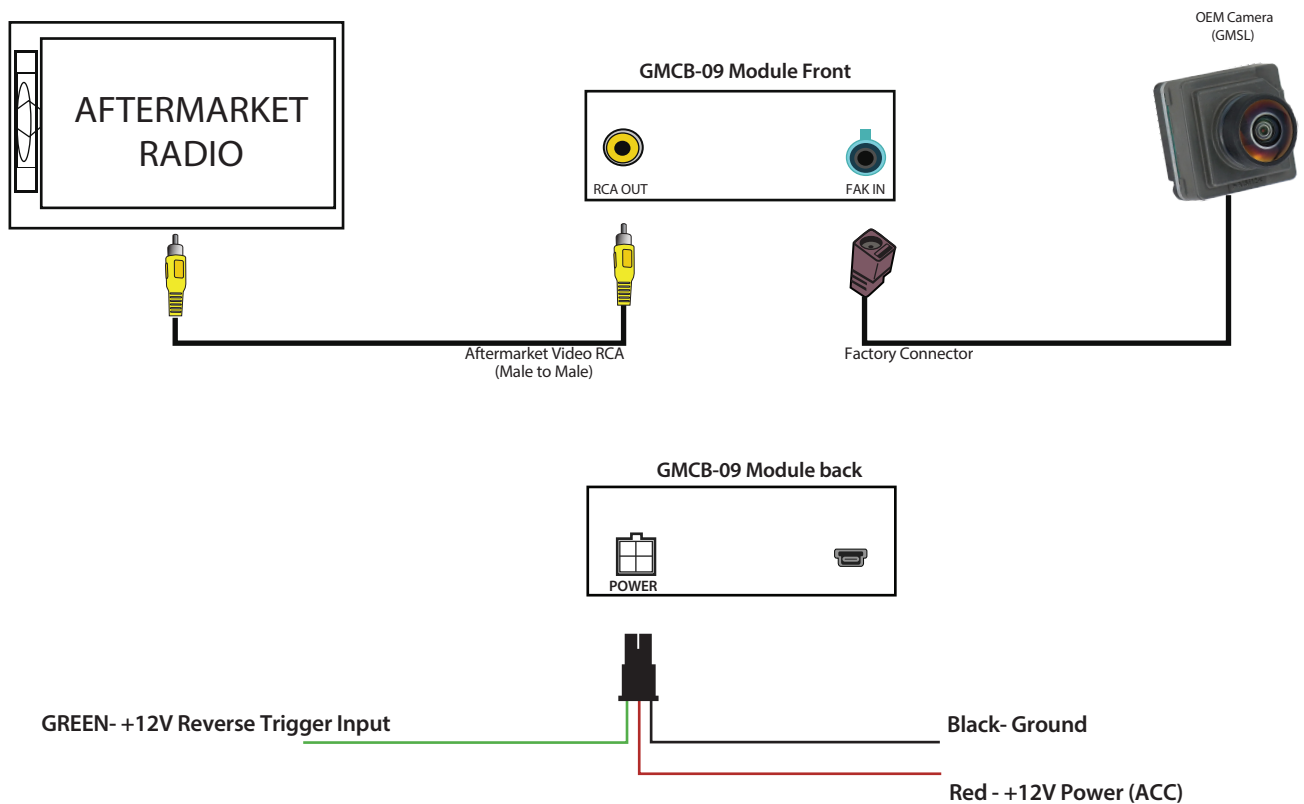


GMCB-09



Video Cable (Male to Male)

INSTALLATION INSTRUCTIONS:



INSTALLING THE GMCB-09 INTERFACE

1. Connect the female Fakra connector of the vehicle factory GMSL camera to the male Fakra socket (FAK IN) of the GMCB-09 interface box.
2. Connect the video RCA(RVC OUT) of the GMCB-09 interface box w/ the rear view camera input connection of an aftermarket radio/monitor.
3. Connect the Black wire of the GMCB-09 harness to ground.
4. Connect the Red wire of the GMCB-09 harness to +12V ACC power
5. Connect the Green wire of the GMCB-09 harness to +12V reverse gear lamp signal.

LED color pattern:	
Blue LED	Input Source Valid
Green LED	Signal Present
Red LED	Power Voltage Active

Setting the DIP switches of the Interface Box.

Device	DIP 1	DIP 2	DIP 3
Small resolution (old vehicles)	OFF	OFF	ON
Large resolution (new vehicles*)	ON	ON	ON

After each change of the DIP switch settings you have to execute a power reset of the interface box!

TROUBLESHOOTING

If you see a Blue screen / Blue LED is off, that means there is no video signal reaching device.
 Please make sure the cable is properly connected.

VEHICLE APPLICATIONS:

CHEVROLET

- 2019 Blazer
- 2019 Equinox
- 2018 - Up Silverado 1500 Pickup
- 2020-2024 Silverado WT

GMC

- 2020 - Up Acadia
- 2019 - Up Sierra 1500 pickup
- 2019 - Up Sierra Denali 1500
- 2020-2024 Sierra WT

