

PRODUCT FEATURES:

- Retains factory features in select Volkswagen vehicles while functioning with an aftermarket radio.
- Supports amplified and non-amplified systems.
- EIA color coded wiring for easy installation.
- Includes Single DIN/ISO with pocket or Double DIN Dash Kit.

NOTES:

1. Driver information display will show the last information that was shown prior to removing the factory radio.
2. This interface does not retain the factory Bluetooth or Sirius Satellite Radio.
3. The radio is designed to shut off when the key is removed.
4. 2010 and Up vehicles with a premium sound system do not retain the RAP feature.

PARTS INCLUDED:



Single DIN/ISO with pocket or Double DIN Dash Kit

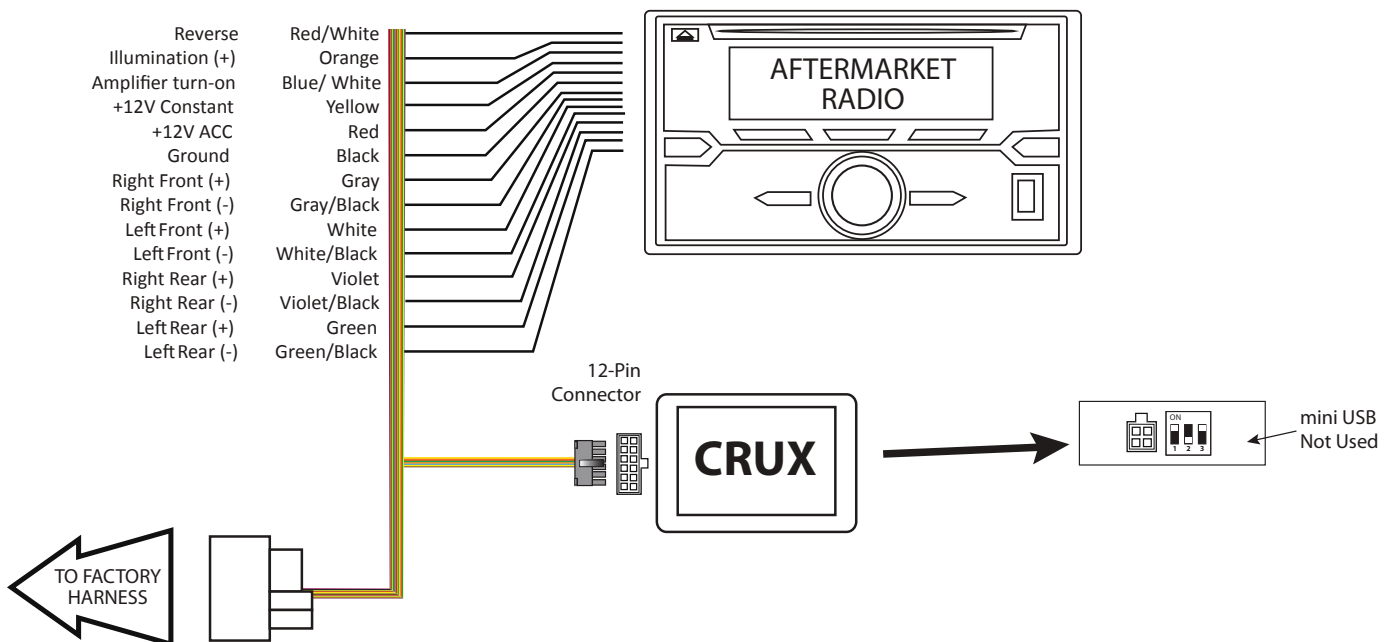


DKVW-21 Module



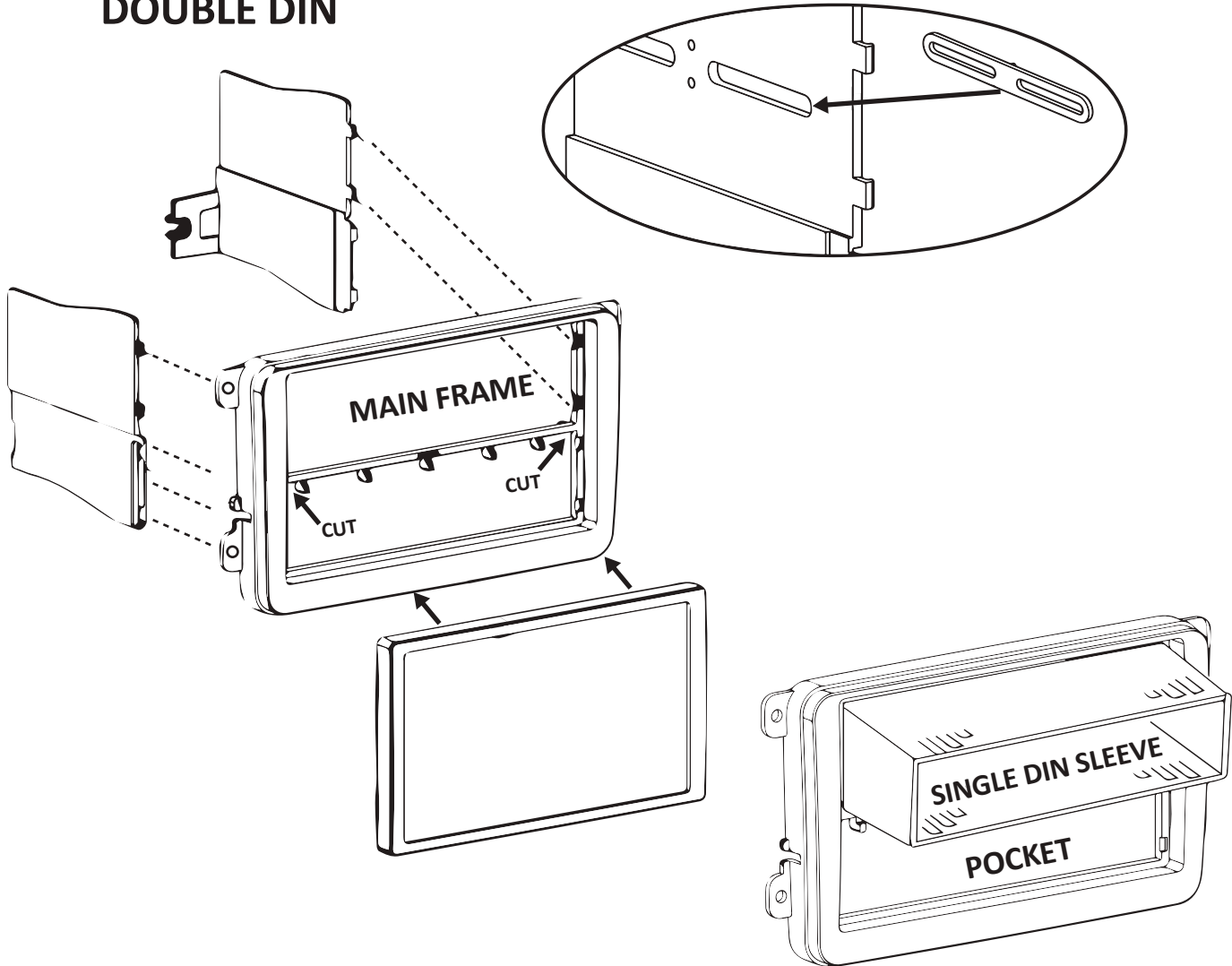
DKVW-21 Harness

INSTALLATION DIAGRAM:



DASH KIT ASSEMBLY DIAGRAM

DOUBLE DIN



VEHICLE APPLICATIONS:

Volkswagen

2012 – 2013	Beetle	2006 – 2013	Passat
2009 – 2013	CC	2006 – 2009	Rabbit
2007 - 2012	EOS	2009 – 2014	Tiguan
2008 – 2013	Golf	2009 – 2010	Touareg
2006 – 2013	GTI		
2006 – 2013	Jetta		

