

PRODUCT FEATURES:

- Retains factory features in select GM IOA & IOB vehicles while functioning with an aftermarket radio.
- Pre-programmed to retain factory Steering Wheel Controls.
- iPhone Voice Recognition (VR) feature from SWC on select radios.
- Supports Pick Up/End Call, Pick up and Toggle between 1st and 2nd incoming call, AVRCP Track, Seek.
- Supports Non Amplified Systems
- Retains chime functions.
- Retains factory backup camera.*
- Retains factory backup sensors / park assist system.
- EIA color coded wiring for easy installation.

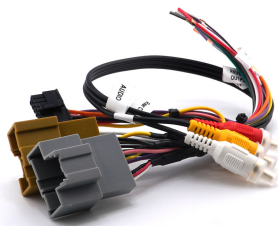
NOTE:

Does not retain the factory backup camera on models that show the camera image on the rear-view mirror.

PARTS INCLUDED:



SWRGM-47 MODULE



SWRGM-47 HARNESS

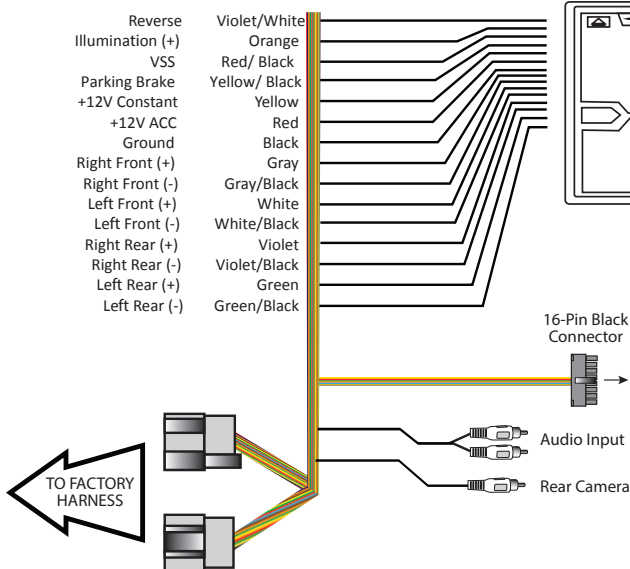


SWC CABLES



ANTENNA ADAPTER

INSTALLATION DIAGRAM:



TROUBLESHOOTING

LED LIGHT	LED MODULE FEEDBACK
Solid blue	CAN recognized
Flashing blue	CAN not recognized
Solid red	Module providing 12V ACC
Red off	12V ACC OFF

AFTERMARKET RADIO SELECTOR (See Chart)



3.5MM SWC CABLES (Option A or B)

Use the proper 3.5MM to 4-Pin cable for your radio. Plug in the selected 3.5MM SWC cable to the 4-pin port on the module. See "DIP SWITCH SETTINGS" section.



Cap or insulate if not being used

Insulate with tape if not being used

Option A:



DIP SWITCH SETTINGS:

AFTERMARKET RADIO DIP SWITCH SETTINGS:

RADIO BRAND:	DIP#:	1	2	3
Atoto, Dual, Fahrenheit, Jensen		OFF	ON	ON
Pioneer, Power Acoustik, Soundstream		OFF	ON	ON
Blaupunkt, Most off-brand Radio		OFF	ON	ON
Alpine		OFF	OFF	OFF
Clarion		ON	ON	OFF
Kenwood		ON	ON	ON
JVC		ON	OFF	ON
Boss, Old Sony		ON	OFF	OFF
New Sony		OFF	ON	OFF

SWC MODULE
DIP SWITCH



NOTE: For Atoto, Blaupunkt, Dual, Fahrenheit, Power Acoustik, Soundstream, and most off-brand radios, check the aftermarket radio's manual to see if the SWC buttons need to be programmed.

4-PIN SWC CABLE

Use the proper 3.5MM to 4-Pin SWC cable for the aftermarket radio you are using.

OPTION A is used for ALPINE, CLARION, JVC, and KENWOOD units (Blue/Yellow wire is attached)
OPTION B is used for ATOTO, BLAUPUNKT, BOSS, DUAL, FARENHEIT, JENSEN, POWER ACOUSTIK,
PIONEER, SONY, SOUNDSTREAM and Most Off-Brand Radios.

NOTE: Cap or insulate the 3.5mm plug or Blue/Yellow wire if not being used.

For aftermarket radios that have wires for SWC connections, cut off the 3.5mm plug on the Crux SWC Cable (option B) and connect the SWC wires as follows:



Note that there are some radios that only have SWC1 and SWC2, in this case "shield" does not need to be connected.



BACKUP CAMERA TROUBLESHOOTING:

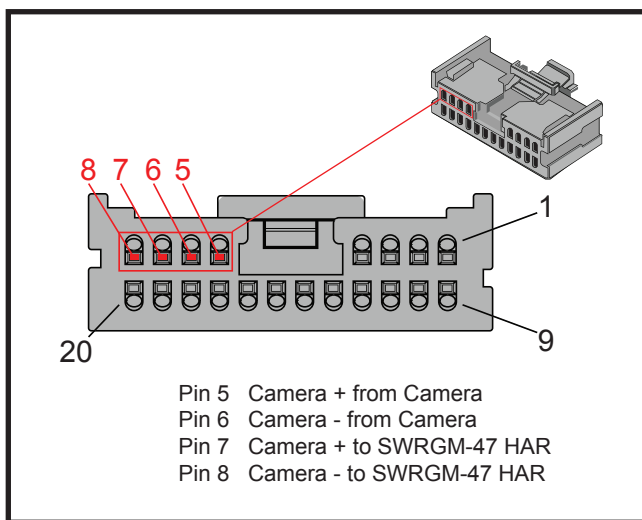
Problem: The aftermarket radio does not show the reverse camera image when the vehicle is in reverse.

NOTE: Some vehicles, the reverse camera image is first displayed on the radio display before appearing on the radio.

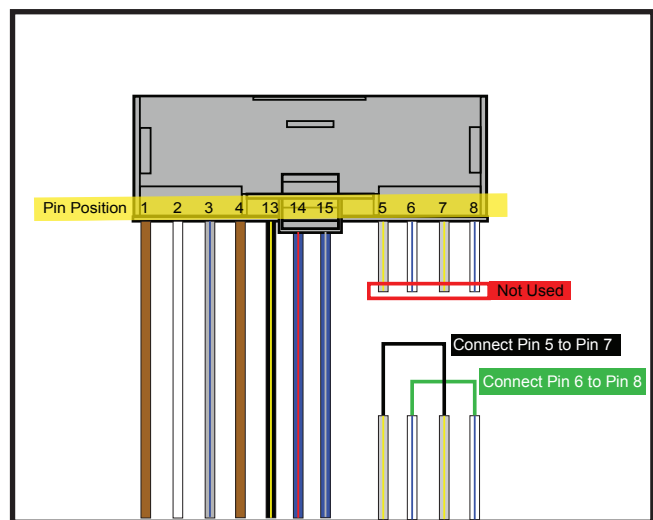
Solution: Connect the camera input and output wires together using the radio display harness.

1. Locate pins 5, 6, 7, and 8 on the Gray 20-pin harness situated at the rear of the radio display (refer to Figure 1).
2. Cut the wires connected to pins 5, 6, 7, and 8 near the connector, while ensuring sufficient wire length remains for potential reconnection if the original radio is reinstalled.
3. The loose, severed wires originating from the connector are not required. However, the remaining cut wires within the harness must be interconnected as follows (see Figure 2):
4. Join Pin 5 to Pin 7.
5. Then also join Pin 6 to Pin 8.
6. Establish a connection between the Reverse Camera output connector of the SWRGM-47 HAR and the Reverse Camera input on the aftermarket radio

20 Pin Radio Display Connector (Pin Side View)



20 Pin Radio Display Connector (Top View)



CHIME VOLUME ADJUSTMENT:

The SWRGM-47 has a potentiometer to adjust the chime volume. It is set at half way by default. To adjust the volume, simply use a suitable screw driver and turn the potentiometer clockwise to increase the volume and counter-clockwise to decrease the volume.

Chime
Volume
Adjustment



VEHICLE APPLICATIONS:

CHEVROLET

2016-2018	Chevrolet Camaro With 7" Screen (IOB)
2016-2017	Chevrolet Cruze With 7" Screen (IOA)
2018	Chevrolet Cruze With 7" Screen (IOB)
2016-2017	Chevrolet Malibu With 7" Screen (IOA)
2018	Chevrolet Malibu With 7" Screen (IOB)
2016-2018	Chevrolet Silverado With 7" Screen (IOB)
2019	Chevrolet Silverado Classic With 7" Screen (IOB)
2016-2017	Chevrolet Silverado HD With 7" Screen (IOB)
2017	Chevrolet Sonic With 7" Screen
2017-2018	Chevrolet Spark With 7" Screen
2017	Chevrolet Trax With 7" Screen (IOA)

GMC

2017	GMC Acadia With 7" Screen (IOB)
2016-2017	GMC Sierra With 7" Screen (IOB)
2016-2017	GMC Sierra HD With 7" Screen (IOB)



2017 Chevy Silverado with 7" Display

